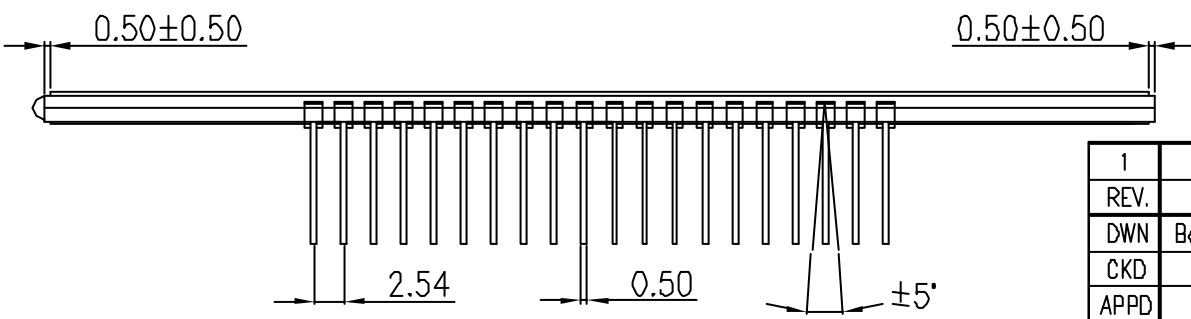
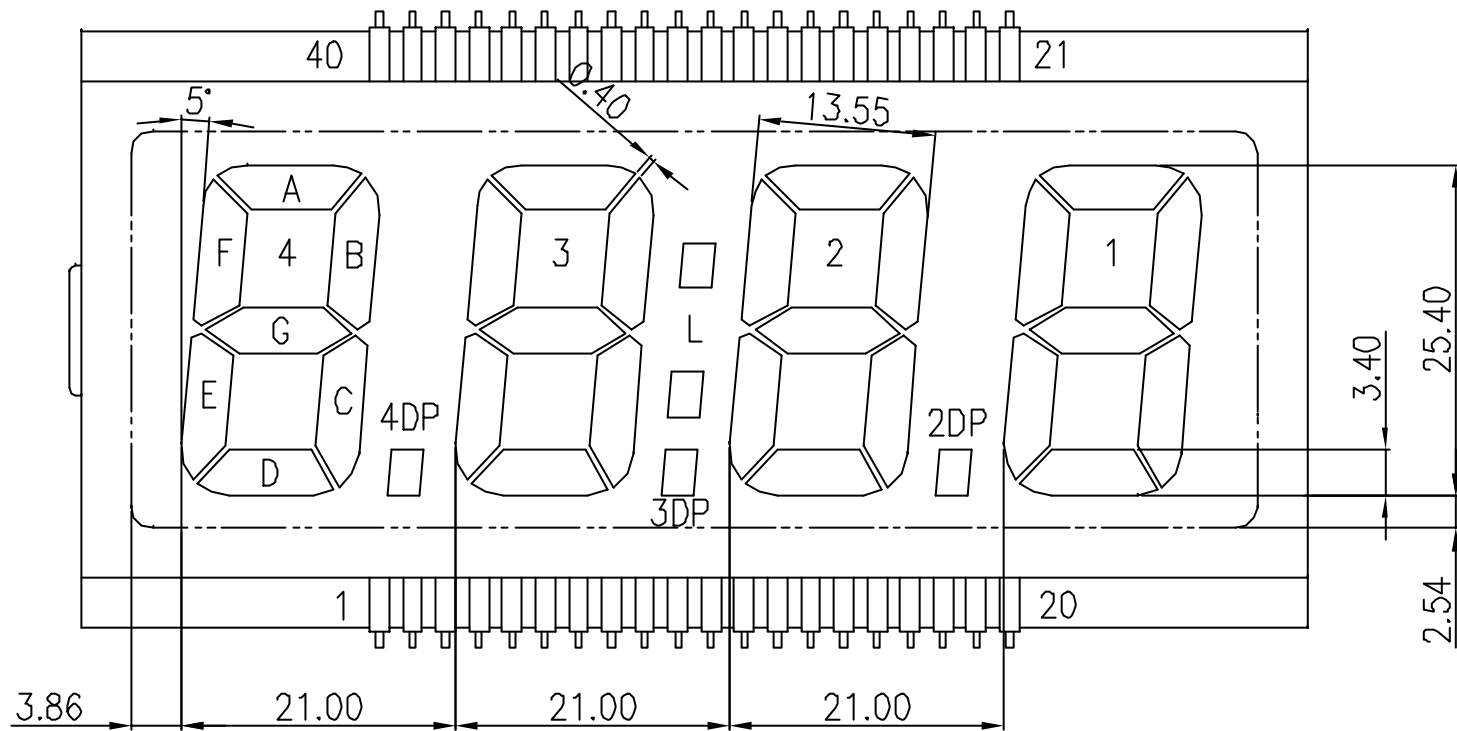


↑  
DIRECTION  
6:00  
VIEWING



1				DATE
REV.	MODIFY CONTENT			DATE
DWN	Bauing	UNIT	mm	CUST. MODEL
CKD		SCALE		MODEL MCD-870/C(6.35)BR1G
APPD		⊕	DATE	FEB-01-05



	COM		COM
1	COM	21	1A
2	.	22	1F
3	.	23	1G
4	.	24	2B
5	4E	25	2A
6	4D	26	2F
7	4C	27	2G
8	4DP	28	L
9	3E	29	3B
10	3D	30	3A
11	3C	31	3F
12	3DP	32	3G
13	2E	33	.
14	2D	34	4B
15	2C	35	4A
16	2DP	36	4F
17	1E	37	4G
18	1D	38	.
19	1C	39	.
20	1B	40	COM

NOTE:

1. TN TYPE
2. DRIVING METHOD: STATIC
3. OPERATING VOLTAGE: 3.0 V
4. OPERATING TEMP: -0 ~ 50°C
5. STORAGE TEMP: -5 ~ 55°C
6. VIEWING DIRECTION: 6:00
7. POLARIZER MODE: REFLECTIVE POSITIVE
8. CONNECTION: PIN TYPE
9. DIMENSIONS ARE IN MILLIMETERS AND UNLESS OTHERWISE NOTED ARE ±0.20MM

1						
REV.	MODIFY CONTENT				DATE	
DWN	Bauing	UNIT	mm	CUST. MODEL		
CKD		SCALE		MODEL	MCD-870/C(6.35)BR1G	
APPD				DATE	FEB-01-05	
<b>ALL SHORE INDUSTRIES, INC</b>					NAME	MCD-870
					PAGE	2/2