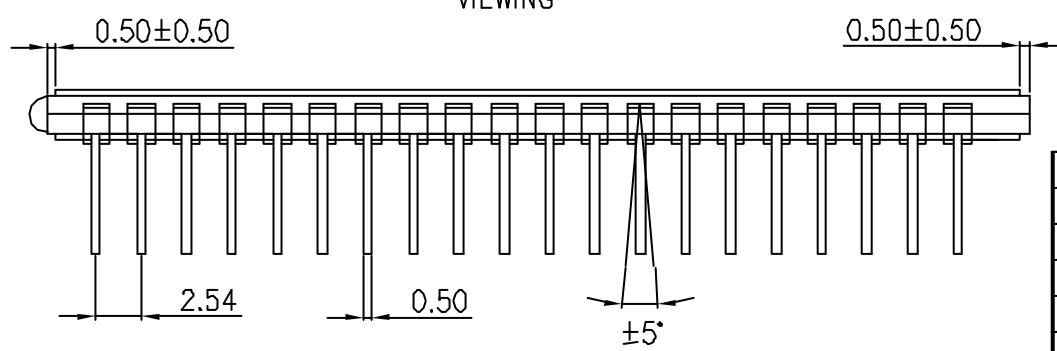
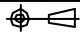
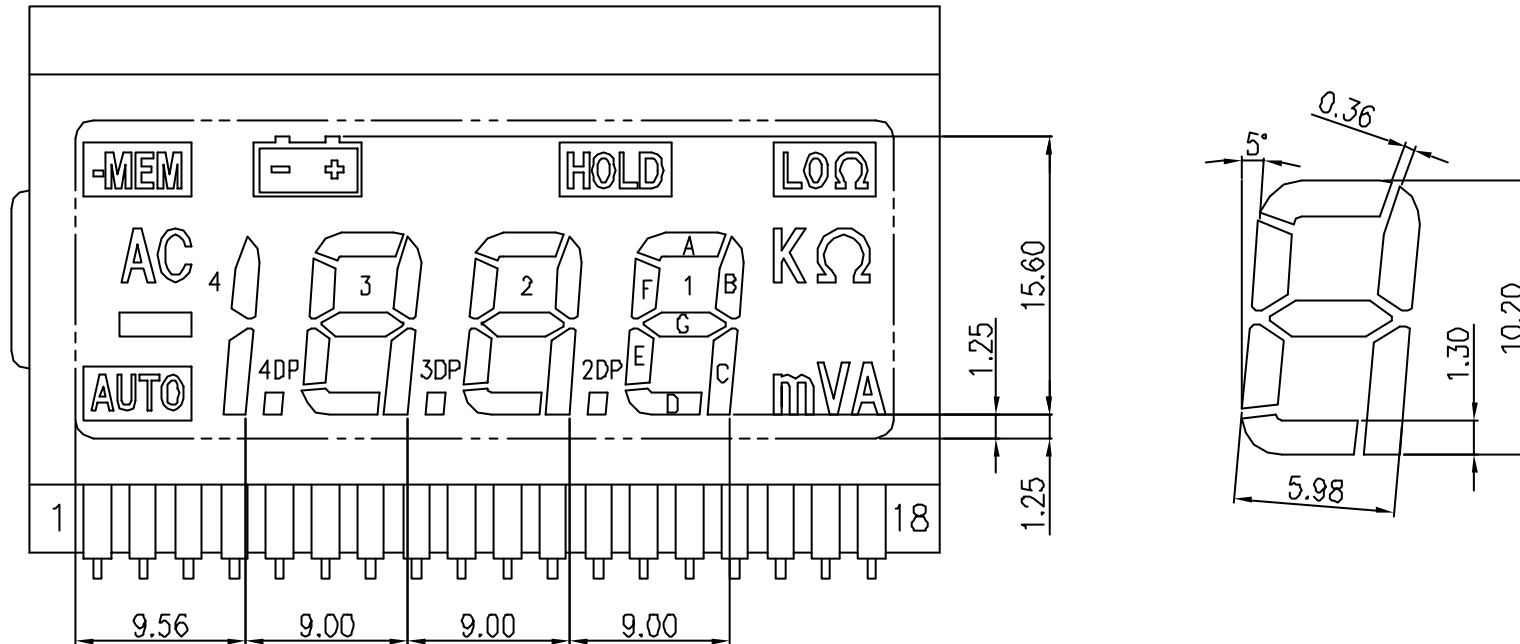

 DIRECTION  
 6:00  
 VIEWING



1				
REV.	MODIFY CONTENT			DATE
DWN	Bauing	UNIT	mm	CUST. MODEL
CKD		SCALE		MODEL ME-3149/C(6.35)8R1G
APPD			DATE	FEB-02-05
<b>ALL SHORE INDUSTRIES, INC</b>				NAME 3149
				PAGE 1/2



	1	2	3	4	5	6	7	8	9	10	11	12	13	14	15	16	17	18
COM1		AC	4B	3F	3A	3B	2F	2A	2B	1F	1A	1B	<b>HOLD</b>					COM1
COM2	<b>-MEM</b>		4C	3E	3G	3C	2E	2G	2C	1E	1G	1C	K	$\Omega$	<b>LO<math>\Omega</math></b>		COM2	
COM3		<b>AUTO</b>	4DP		3D	3DP		2D	2DP		1D		m	V	A	COM3		

- NOTE: 1. TN TYPE  
 2. DRIVING METHOD: 1/3 DUTY, 1/2 BIAS  
 3. OPERATING VOLTAGE: 3.0 VOP  
 4. OPERATING TEMP: -10° ~ 60°C  
 5. STORAGE TEMP: -20° ~ 60°C  
 6. VIEWING DIRECTION: 6:00  
 7. POLARIZER MODE: REFLECTIVE POSITIVE  
 8. CONNECTION: PIN TYPE  
 9. DIMENSIONS ARE IN MILLIMETERS AND UNLESS OTHERWISE NOTED ARE  $\pm 0.20\text{MM}$

1					
REV.	MODIFY CONTENT				DATE
DWN	Bauing	UNIT	mm	CUST. MODEL	
CKD		SCALE		MODEL	ME-3149/C(6.35)BR1G
APPD				DATE	FEB-02-05
<b>ALL SHORE INDUSTRIES, INC</b>					NAME 3149
					PAGE 2/2