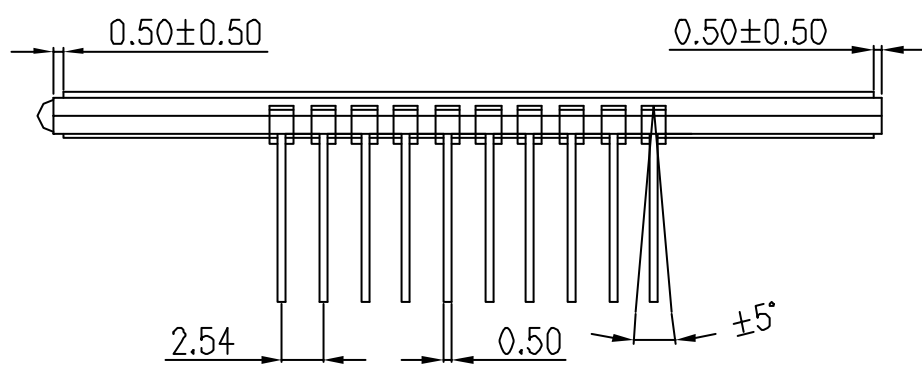

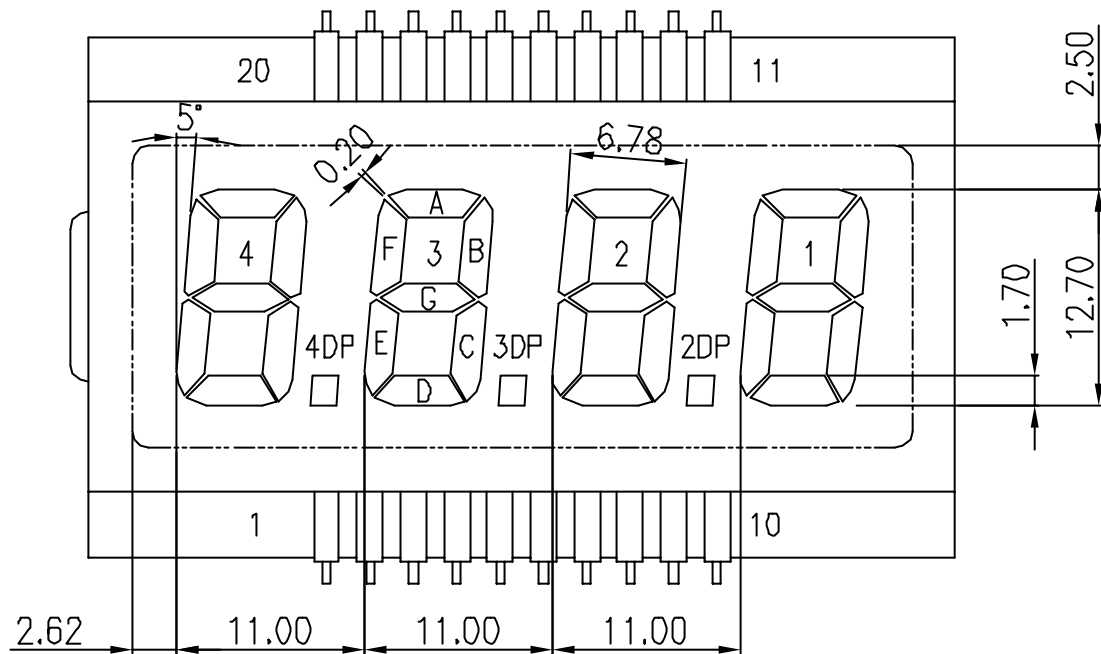

 DIRECTION
6:00
 VIEWING



1				
REV.	MODIFY CONTENT			DATE
DWN	Bauing	UNIT	mm	CUST. MODEL
CKD		SCALE		MODEL ME-3141/C(10)BF1H
APPD			DATE	FEB-02-D5
ALL SHORE INDUSTRIES, INC				NAME 3141
				PAGE 1/2



NOTE:

1. TN TYPE
2. DRIVING METHOD: 1/3 DUTY, 1/3 BIAS
3. OPERATING VOLTAGE: 3.0 V_{OP}
4. OPERATING TEMP: -20° ~ 80°C
5. STORAGE TEMP: -40° ~ 80°C
6. VIEWING DIRECTION: 6:00
7. POLARIZER MODE: TRANFLECTIVE POSITIVE
8. CONNECTION: PIN TYPE
9. DIMENSIONS ARE IN MILLIMETERS AND UNLESS OTHERWISE NOTED ARE ±0.20MM

	1	2	3	4	5	6	7	8	9	10	11	12	13	14	15	16	17	18	19	20
COM1	.	.	.	4B	3B	2B	1B	.	.	.	COM1	1A	1F	2A	2F	3A	3F	4A	4F	.
COM2	.	.	.	4C	3C	2C	1C	1G	1E	2G	2E	3G	3E	4G	4E	COM2
COM3	.	.	.	4DP	3DP	2DP	.	COM3	.	.	.	1D	.	2D	.	3D	.	4D	.	.

1					
REV.	MODIFY CONTENT				DATE
DWN	Bauing	UNIT	mm	CUST. MODEL	
CKD		SCALE		MODEL	ME-3141/C(10)8F1H
APPD				DATE	FEB-02-05
ALL SHORE INDUSTRIES, INC					NAME 3141
					PAGE 2/2