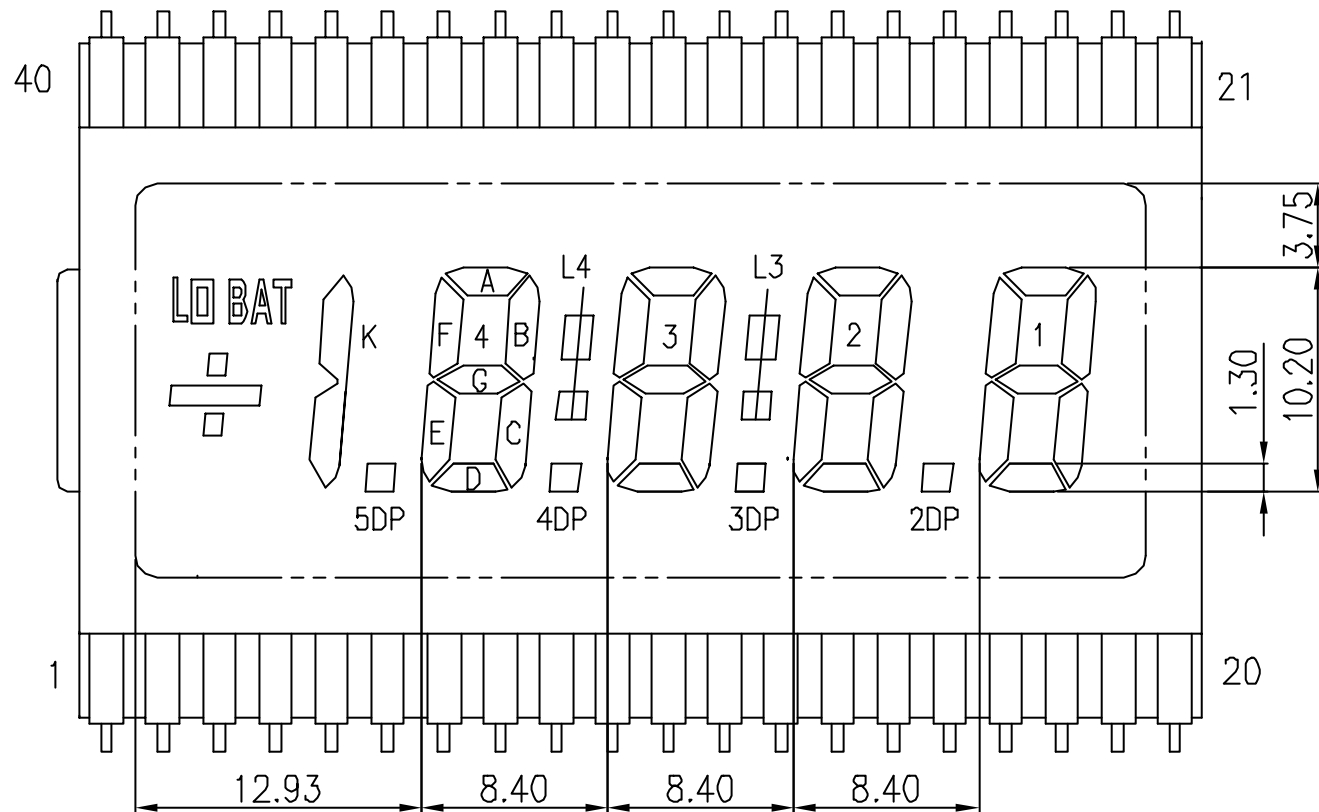


1				
REV.	MODIFY CONTENT			DATE
DWN	Bauing	UNIT	mm	CUST. MODEL
CKD		SCALE		MODEL M201203-1/C(6.35)8R1G
APPD			DATE	JAN-31-05
ALL SHORE INDUSTRIES, INC				NAME M201203-1
				PAGE 1/2



	COM		COM
1	COM	21	1A
2	—	22	1F
3	K	23	1G
4	5DP	24	2B
5	4E	25	2A
6	4D	26	2F
7	4C	27	2G
8	4DP	28	L3
9	3E	29	3B
10	3D	30	3A
11	3C	31	3F
12	3DP	32	3G
13	2E	33	L4
14	2D	34	4B
15	2C	35	4A
16	2DP	36	4F
17	1E	37	4G
18	1D	38	LOBAT
19	1C	39	⏏
20	1B	40	COM

NOTE:

1. TN TYPE
2. DRIVING METHOD: STATIC
3. OPERATING VOLTAGE: 3.0 V
4. OPERATING TEMP: -0 ~ 50°C
5. STORAGE TEMP: -5 ~ 55°C
6. VIEWING DIRECTION: 6:00
7. POLARIZER MODE: REFLECTIVE POSITIVE
8. CONNECTION: PIN TYPE
9. DIMENSIONS ARE IN MILLIMETERS AND UNLESS OTHERWISE NOTED ARE ±0.20MM

1				
REV.	MODIFY CONTENT			DATE
DWN	Bauing	UNIT	mm	CUST. MODEL
CKD		SCALE		MODEL W201203-1/C(6.35)8R1G
APPD				DATE JAN-31-05
ALL SHORE INDUSTRIES, INC				NAME W201203-1
				PAGE 2/2