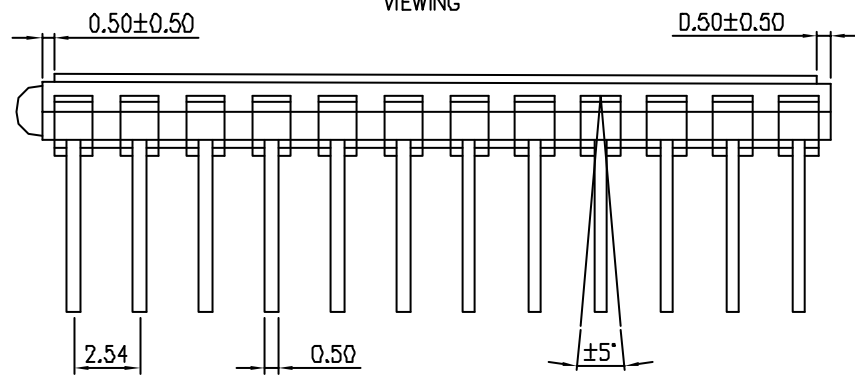
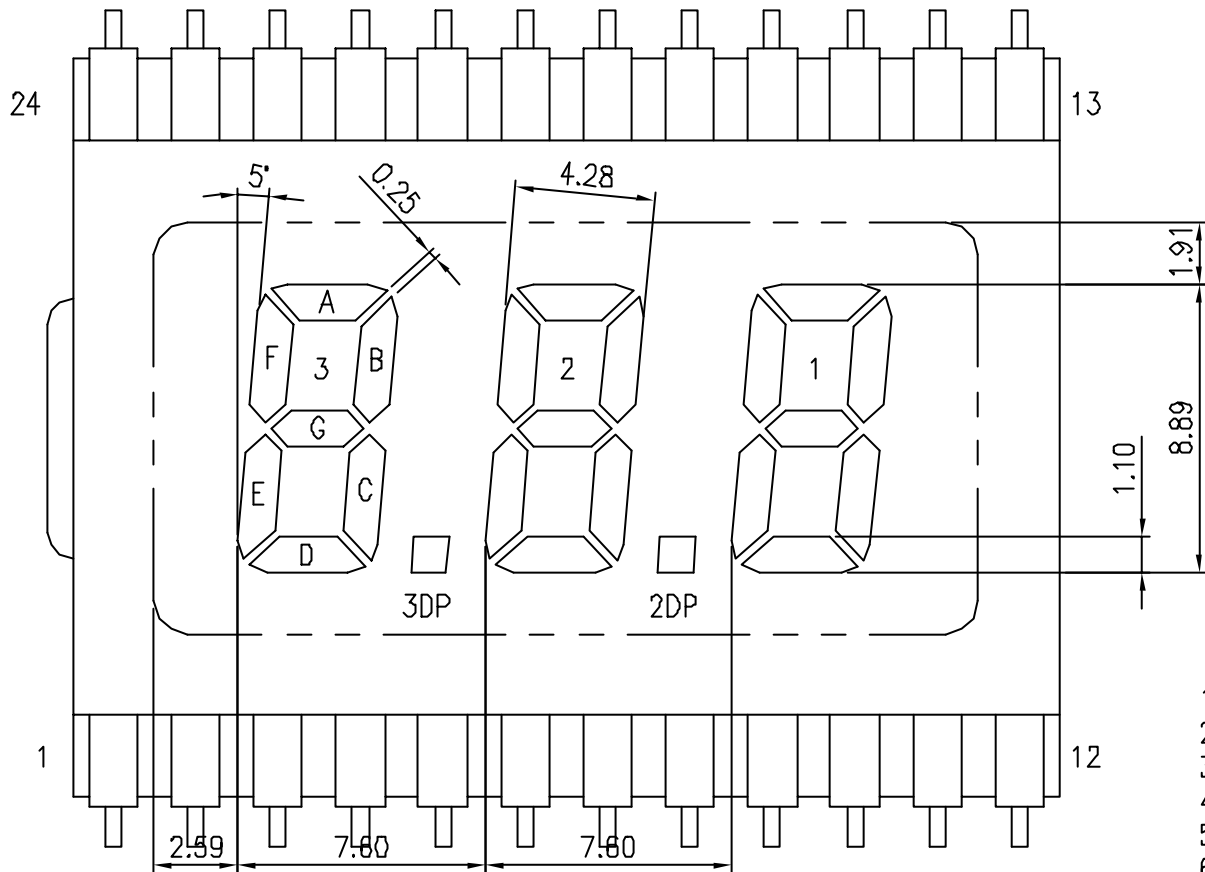


DIRECTION
6:00
VIEWING



1				DATE
REV.	MODIFY CONTENT			DATE
DWN	Baung	UNIT	mm	CUST. MODEL
CKD		SCALE		MODEL M120910/C(6.35)BRIG
APPD			DATE	FEB-02-05
ALL SHORE INDUSTRIES, INC				NAME M120910
				PAGE 1/2



NOTE:

1. TN TYPE
2. DRIVING METHOD: STATIC
3. OPERATING VOLTAGE: 5.0 VOP
4. OPERATING TEMP: 0° ~ 50°C
5. STORAGE TEMP: -5° ~ 55°C
6. VIEWING DIRECTION: 6:00
7. POLARIZER MODE: REFLECTIVE POSITIVE
8. CONNECTION: PIN TYPE
9. DIMENSIONS ARE IN MILLIMETERS AND UNLESS OTHERWISE NOTED ARE ±0.20MM

	1	2	3	4	5	6	7	8	9	10	11	12
COM	3E	3D	3C	3DP	2E	2D	2C	2DP	1E	1D	1C	1B
	13	14	15	16	17	18	19	20	21	22	23	24
COM	1A	1F	1G	2B	2A	2F	2G	3B	3A	3F	3G	COM

1				
REV.	MODIFY CONTENT			DATE
DWN	Bauing	UNIT	mm	CUST. MODEL
CKD		SCALE		MODEL M120910/C(6.35)BR1G
APPD			DATE	FEB-02-05
ALL SHORE INDUSTRIES, INC				NAME M120910
				PAGE 2/2