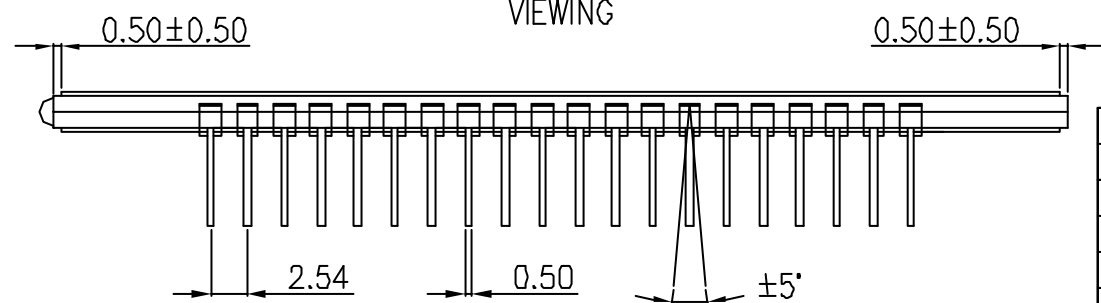
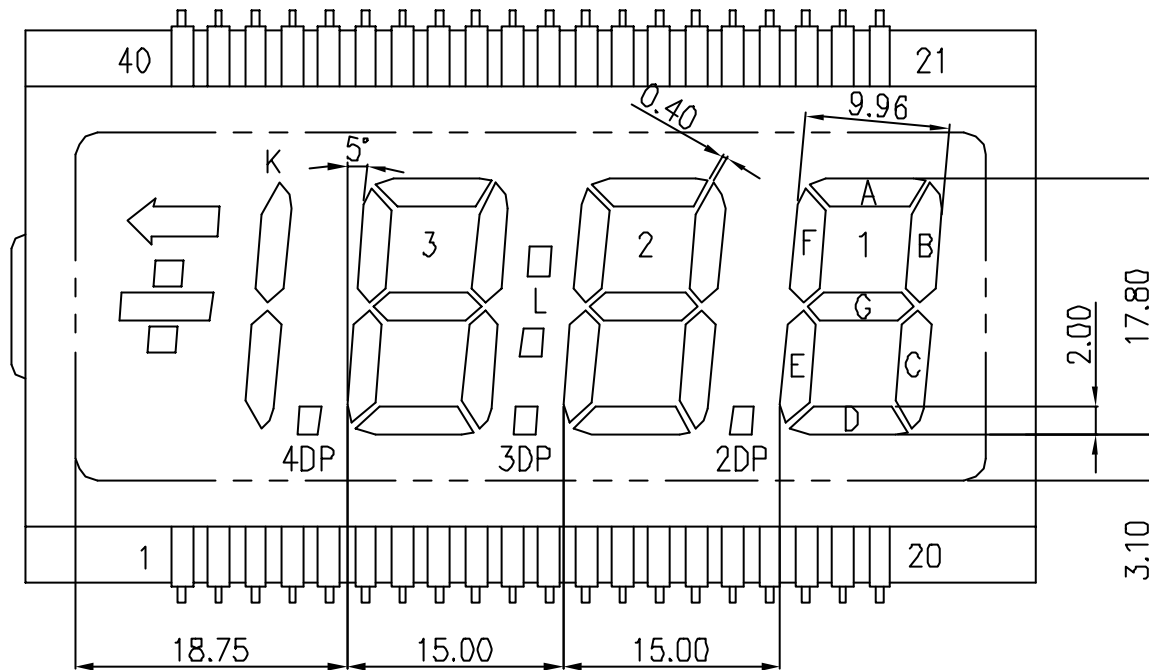


DIRECTION
6:00
VIEWING



1	REV.			DATE
DWN	Bauing	UNIT	mm	CUST. MODEL
CKD		SCALE		MODEL ME-1093/C(6.35)BR1G
APPD			DATE	FEB-02-05
ALL SHORE INDUSTRIES, INC				NAME ME-1093
				PAGE 1/2



	1	2	3	4	5	6	7	8	9	10	11	12	13	14	15	16	17	18	19	20
COM	COM	□	K	/	/	/	/	4DP	3E	3D	3C	3DP	2E	2D	2C	2DP	1E	1D	1C	1B
	21	22	23	24	25	26	27	28	29	30	31	32	33	34	35	36	37	38	39	40
COM	1A	1F	1G	2B	2A	2F	2G	L	3B	3A	3F	3G	/	/	/	/	/	←	□	COM

- NOTE: 1. TN TYPE
 2. DRIVING METHOD: STATIC
 3. OPERATING VOLTAGE: 3.0 V
 4. OPERATING TEMP: -10 ~ 60°C
 5. STORAGE TEMP: -20 ~ 60°C
 6. VIEWING DIRECTION: 6:00
 7. POLARIZER MODE: REFLECTIVE POSITIVE
 8. CONNECTION: PIN TYPE
 9. DIMENSIONS ARE IN MILLIMETERS AND UNLESS OTHERWISE NOTED ARE ±0.20MM

1				
REV.	MODIFY CONTENT			DATE
DWN	Bauing	UNIT	mm	CUST. MODEL
CKD		SCALE		MODEL ME-1093/C(6.35)8R1G
APPD		⊕		DATE FEB-02-05
ALL SHORE INDUSTRIES, INC				NAME ME-1093
				PAGE 2/2