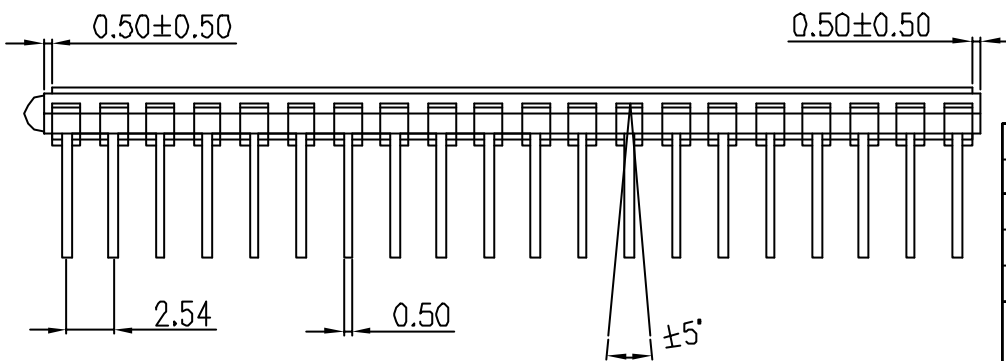
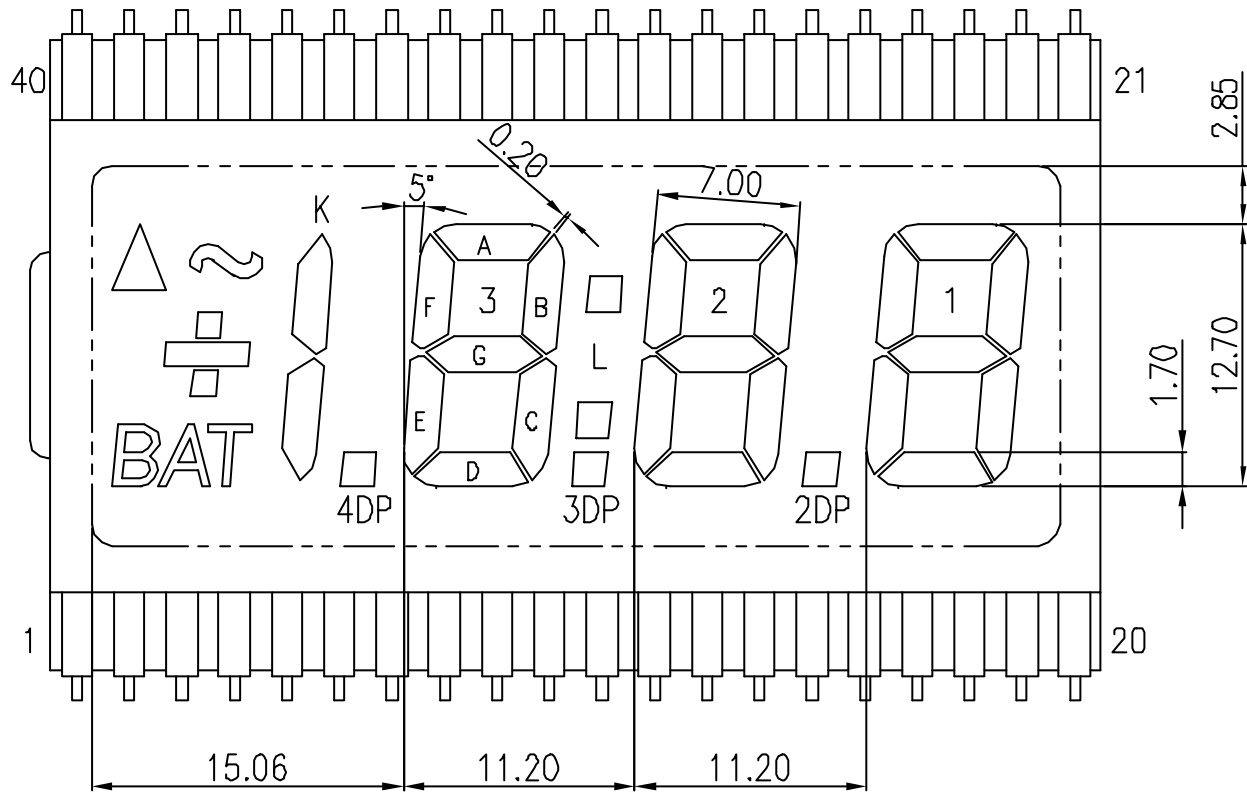
 DIRECTION
 6:00
 VIEWING



1				DATE
REV.	MODIFY CONTENT			DATE
DWN	Bauing	UNIT	mm	CUST. MODEL
CKD		SCALE		MODEL ME-1004AC(6.35)BR1G
APPD			DATE	FEB-02-05
ALL SHORE INDUSTRIES, INC				NAME ME-1004A
				PAGE 1/2



	COM		COM
1	COM	21	1A
2	=	22	1F
3	K	23	1G
4	.	24	2B
5	.	25	2A
6	.	26	2F
7	.	27	2G
8	4DP	28	L
9	3E	29	3B
10	3D	30	3A
11	3C	31	3F
12	3DP	32	3G
13	2E	33	.
14	2D	34	.
15	2C	35	.
16	2DP	36	.
17	1E	37	~
18	1D	38	Δ
19	1C	39	▣
20	1B	40	BAT

- NOTE: 1. TN TYPE
 2. DRIVING METHOD: STATIC
 3. OPERATING VOLTAGE: 3.0 VOP
 4. OPERATING TEMP: 0° ~ 60°C
 5. STORAGE TEMP: -5° ~ 65°C
 6. VIEWING DIRECTION: 6:00
 7. POLARIZER MODE: REFLECTIVE POSITIVE
 8. CONNECTION: PIN TYPE
 9. DIMENSIONS ARE IN MILLIMETERS AND UNLESS OTHERWISE NOTED ARE ±0.20MM

1				
REV.	MODIFY CONTENT			DATE
DWN	Bauing	UNIT	mm	CUST. MODEL
CKD		SCALE		MODEL ME-1004AC(6.35)8R1G
APPD		⌀		DATE FEB-02-05
ALL SHORE INDUSTRIES.INC				NAME ME-1004A
				PAGE 2/2