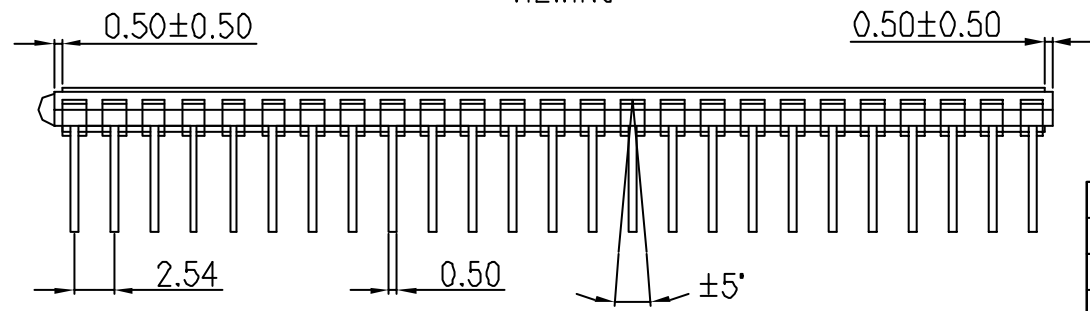
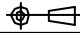
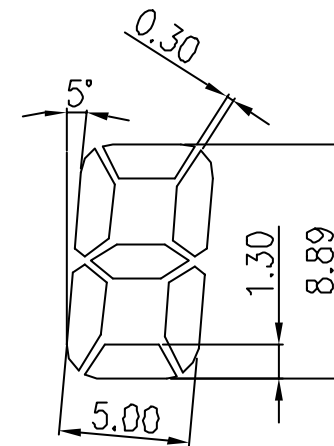
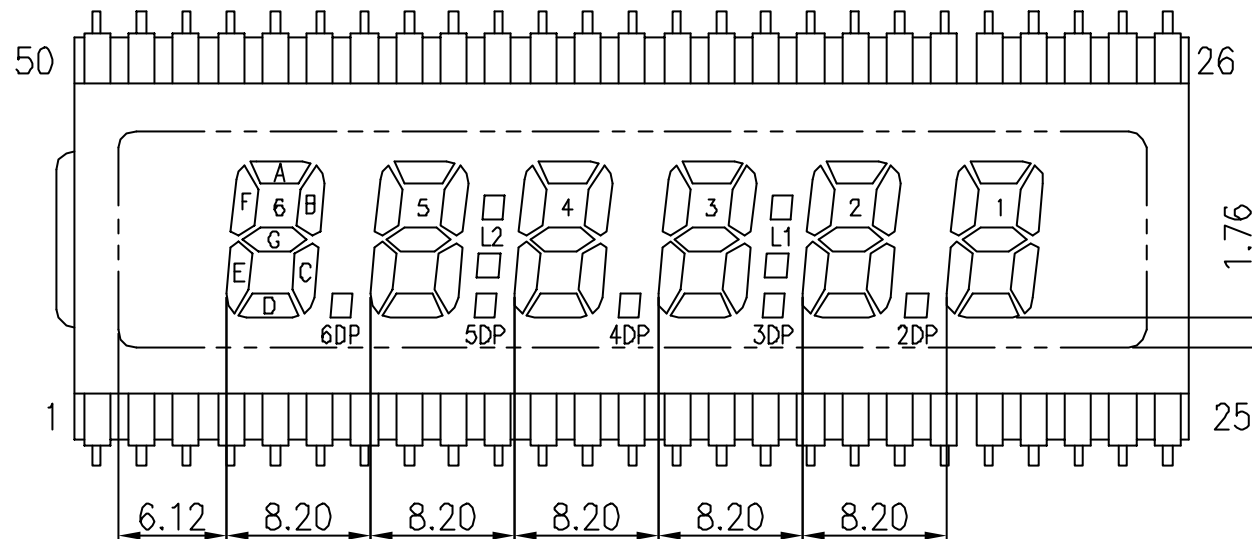
 DIRECTION
 6:00
 VIEWING



1				
REV.	MODIFY CONTENT			DATE
DWN	Baving	UNIT	mm	CUST. MODEL
CKD		SCALE		MODEL MR-06D/C(6.35)8R1G
APPD			DATE	FEB-02-05



	1	2	3	4	5	6	7	8	9	10	11	12	13	14	15	16	17	18	19	20	21	22	23	24	25
COM	COM	6E	6D	6C	6DP	5E	5D	5C	5DP	4E	4D	4C	4DP	3E	3D	3C	3DP	2E	2D	2C	2DP	1E	1D	1C	1B
	26	27	28	29	30	31	32	33	34	35	36	37	38	39	40	41	42	43	44	45	46	47	48	49	50
COM	1A	1F	1G	2B	2A	2F	2G	L1	3B	3A	3F	3G	4B	4A	4F	4G	L2	5B	5A	5F	5G	6B	6A	6F	6G

- NOTE: 1. TN TYPE
 2. DRIVING METHOD: STATIC
 3. OPERATING VOLTAGE: 3.0 V
 4. OPERATING TEMP: -0 ~ 50°C
 5. STORAGE TEMP: -5 ~ 55°C
 6. VIEWING DIRECTION: 6:00
 7. POLARIZER MODE: REFLECTIVE POSITIVE
 8. CONNECTION: PIN TYPE
 9. DIMENSIONS ARE IN MILLIMETERS AND UNLESS OTHERWISE NOTED ARE ±0.20MM

1				DATE
REV.	MODIFY CONTENT			DATE
DWN	Bauing	UNIT	mm	CUST. MODEL
CKD		SCALE		MODEL MR-060/C(6.35)BR1G
APPD			DATE	FEB-02-05
ALL SHORE INDUSTRIES, INC				NAME MR-060
				PAGE 2/2