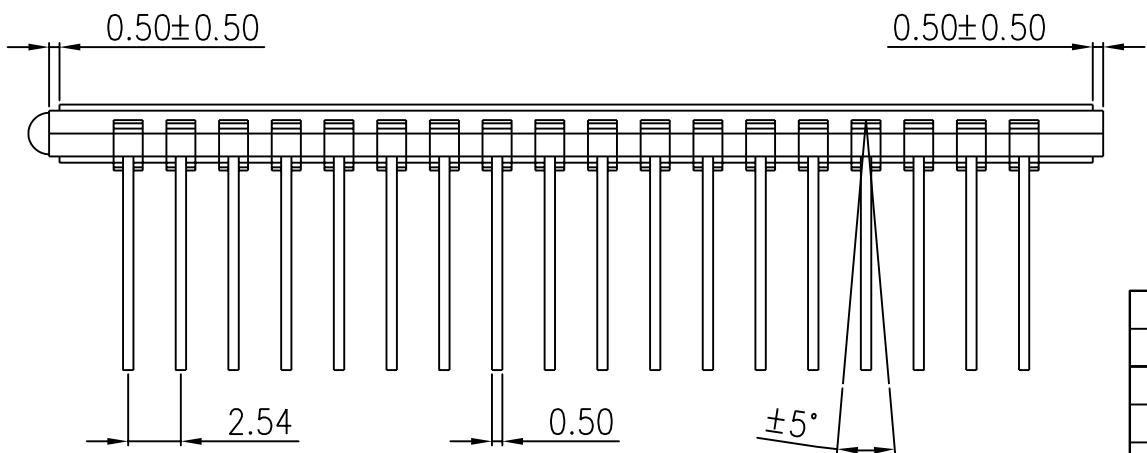


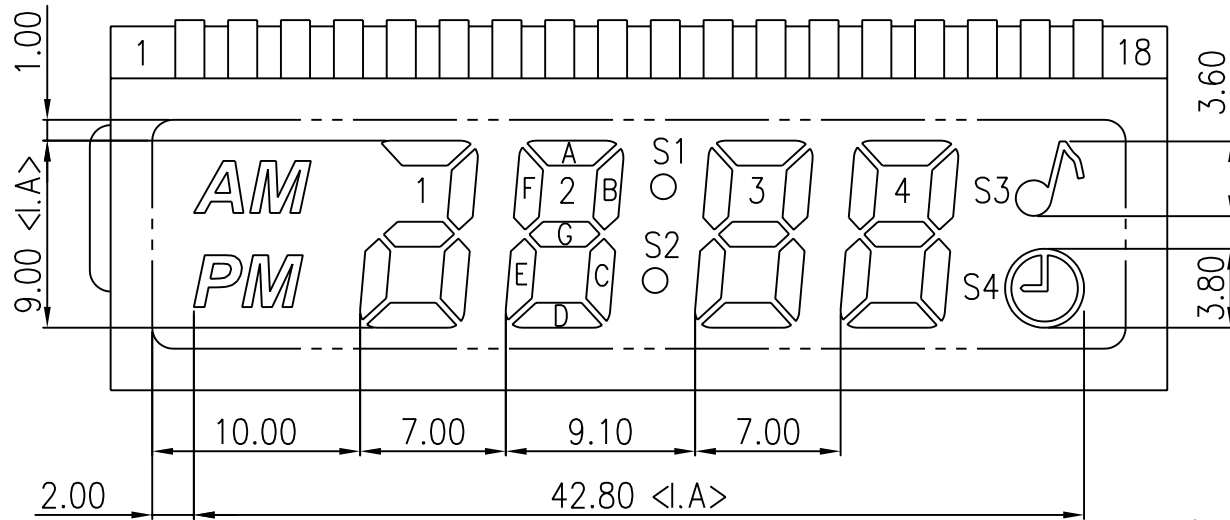
↑  
DIRECTION  
6:00  
VIEWING



1					
REV.	MODIFY CONTENT				DATE
DWN	Bauing	UNIT	mm	CUST. MODEL	
CKD		SCALE		MODEL	MCD-089/P(10)8F1G
APPD				DATE	MAR-09-05

**ALL SHORE INDUSTRIES.INC**

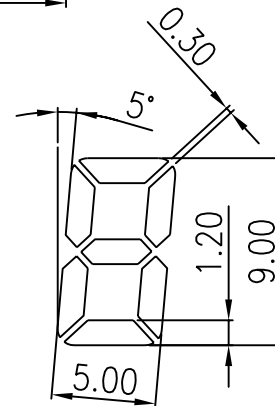
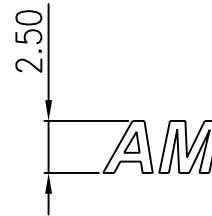
NAME	MCD-089
PAGE	1/4



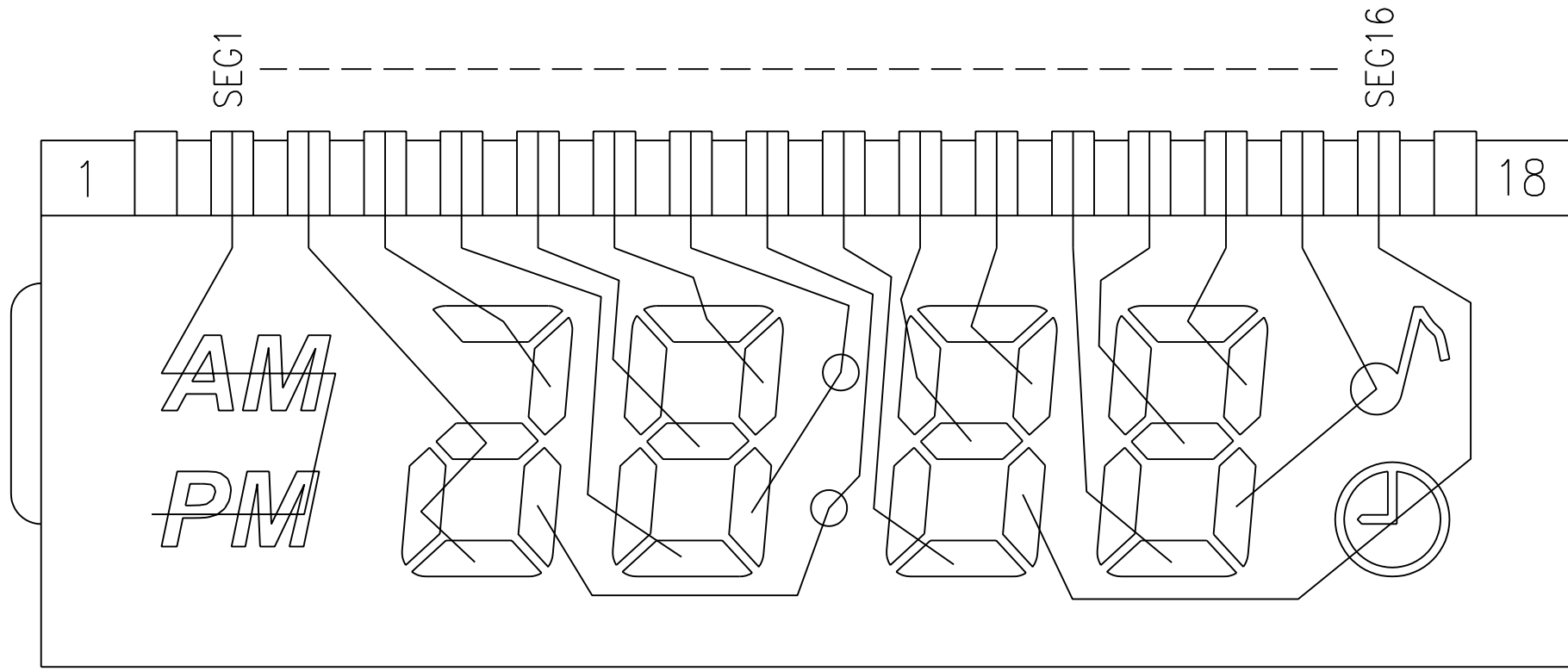
	COM1	COM2
1	COM1	.
2	AM	PM
3	.	1GED
4	1A	1B
5	2E	2D
6	2F	2G
7	2A	2B
8	S1	2C
9	S2	1C
10	3E	3D
11	3F	3G
12	3A	3B
13	4E	4D
14	4F	4G
15	4A	4B
16	S3	4C
17	S4	3C
18	.	COM2

NOTE:


1. TN TYPE
2. DRIVING METHOD: 1/2 DUTY, 1/2 BIAS
3. OPERATING VOLTAGE: 3.0 VOP
4. OPERATING TEMP:  $-0^{\circ} \sim 50^{\circ}\text{C}$
5. STORAGE TEMP:  $-10^{\circ} \sim 60^{\circ}\text{C}$
6. VIEWING DIRECTION: 6:00
7. POLARIZER MODE: TRANSFLECTIVE POSITIVE
8. CONNECTION: PIN TYPE
9. DIMENSIONS ARE IN MILLIMETERS AND UNLESS OTHERWISE NOTED ARE  $\pm 0.20\text{MM}$

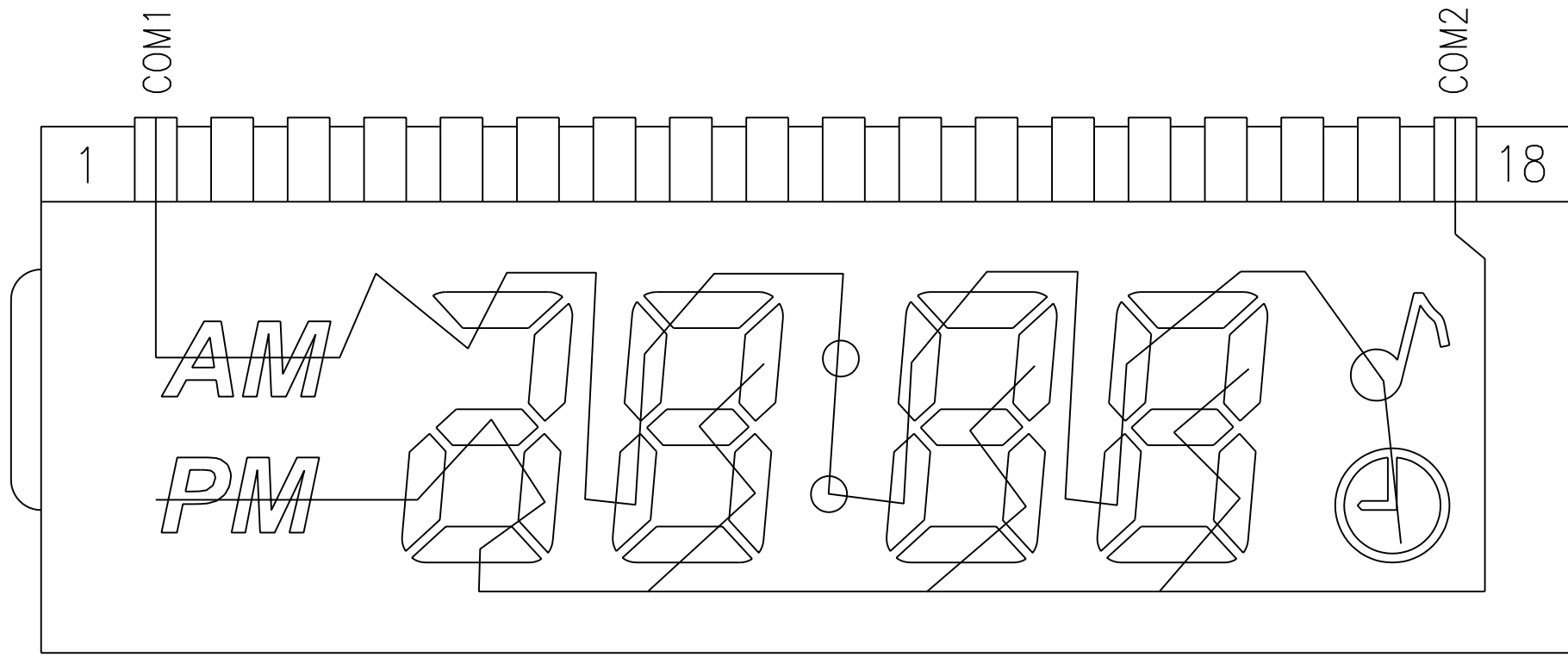


1					
REV.	MODIFY CONTENT				DATE
DWN	Baung	UNIT	mm	CUST. MODEL	
CKD		SCALE		MODEL	MCD-089/P(10)8F1G
APPD				DATE	MAR-09-05
<b>ALL SHORE INDUSTRIES.INC</b>					NAME MCD-089
					PAGE 2/4



SEGMENT

1					
REV.	MODIFY CONTENT				DATE
DWN	Bauing	UNIT	mm	CUST. MODEL	
CKD		SCALE		MODEL	MCD-089/P(10)8F1G
APPD				DATE	MAR-09-05
<b>ALL SHORE INDUSTRIES.INC</b>					NAME MCD-089
					PAGE 3/4



COMMON

1					
REV.	MODIFY CONTENT				DATE
DWN	Bauing	UNIT	mm	CUST. MODEL	
CKD		SCALE		MODEL	MCD-089/P(10)8F1G
APPD				DATE	MAR-09-05
<b>ALL SHORE INDUSTRIES.INC</b>					NAME MCD-089
					PAGE 4/4