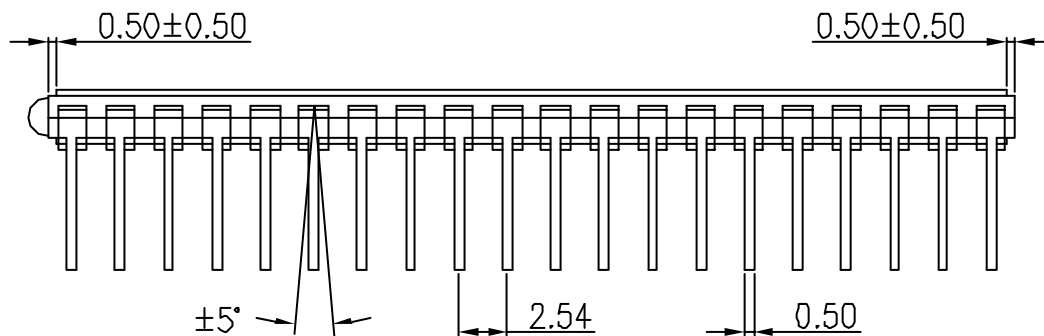
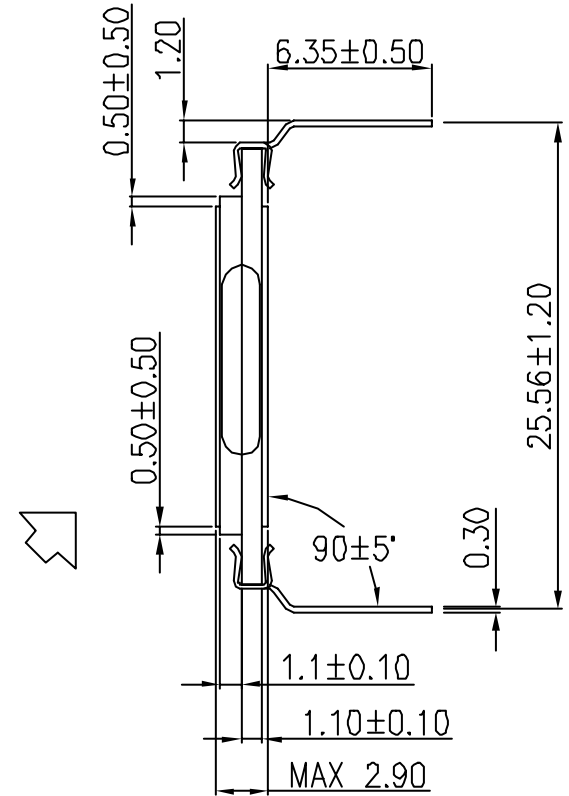
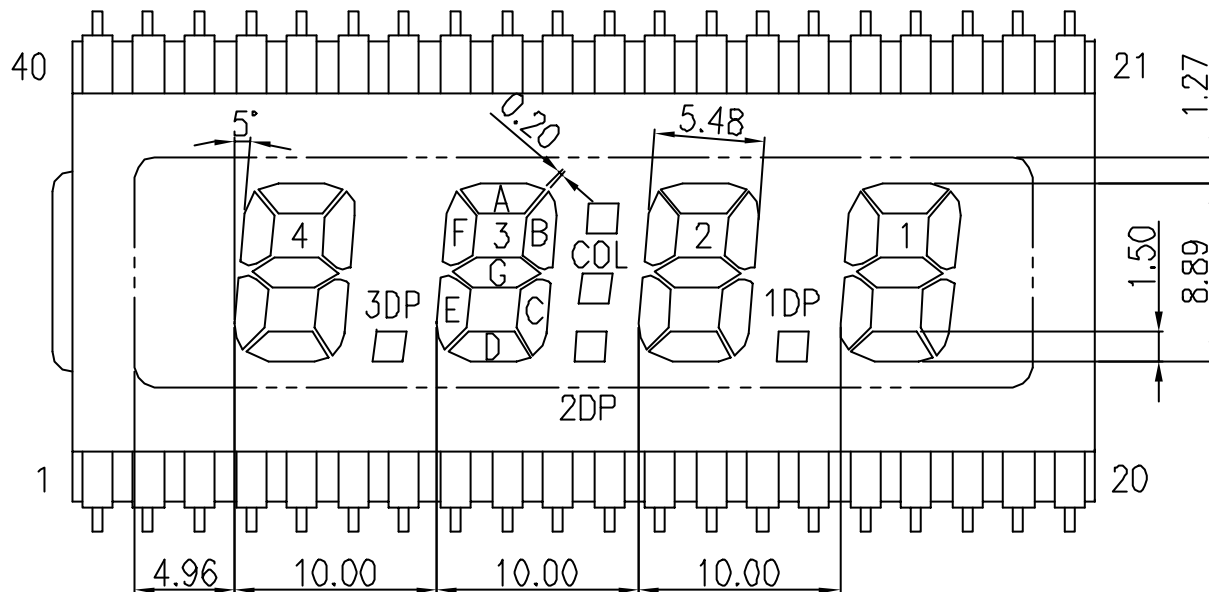


↑
 DIRECTION
 6:00
 VIEWING



1				DATE
REV.	MODIFY CONTENT			
DWN	Bauing	UNIT	mm	CUST. MODEL
CKD		SCALE		MODEL M200907/C(5.35)BR1G
APPD			DATE	JAN-31-05



	1	2	3	4	5	6	7	8	9	10	11	12	13	14	15	16	17	18	19	20
COM	COM	.	.	.	4E	4D	4C	3DP	3E	3D	3C	2DP	2E	2D	2C	1DP	1E	1D	1C	1B
	21	22	23	24	25	26	27	28	29	30	31	32	33	34	35	36	37	38	39	40
COM	1A	1F	1G	2B	2A	2F	2G	COL	3B	3A	3F	3G	.	4B	4A	4F	4G	.	.	COM

NOTE:

1. TN TYPE
2. DRIVING METHOD: STATIC
3. OPERATING VOLTAGE: 3.0~5.0 V
4. OPERATING TEMP: -0 ~ 50°C
5. STORAGE TEMP: -5 ~ 55°C
6. VIEWING DIRECTION: 6:00
7. POLARIZER MODE: REFLECTIVE POSITIVE
8. CONNECTION: PIN TYPE
9. DIMENSIONS ARE IN MILLIMETERS AND UNLESS OTHERWISE NOTED ARE ±0.20MM

1					DATE	
REV.	MODIFY CONTENT				DATE	
DWN	Bauing	UNIT	mm	CUST. MODEL		
CKD		SCALE		MODEL	M200907/C(6.35)BR1G	
APPD				DATE	JAN-31-05	
ALL SHORE INDUSTRIES, INC					NAME	M200907
					PAGE	2/2