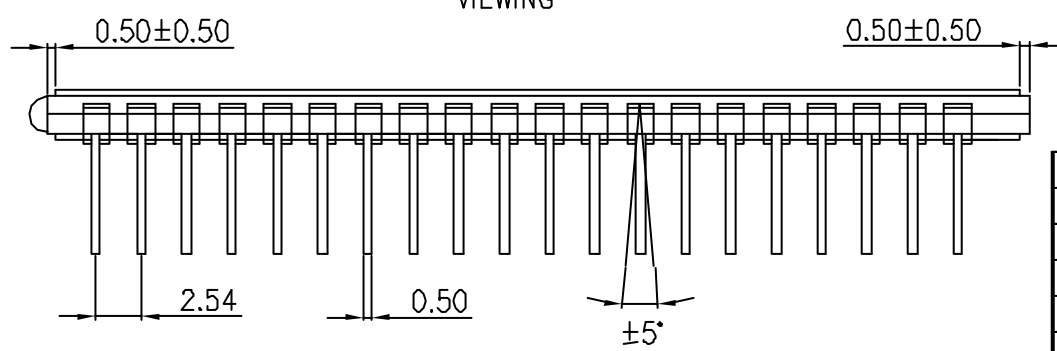
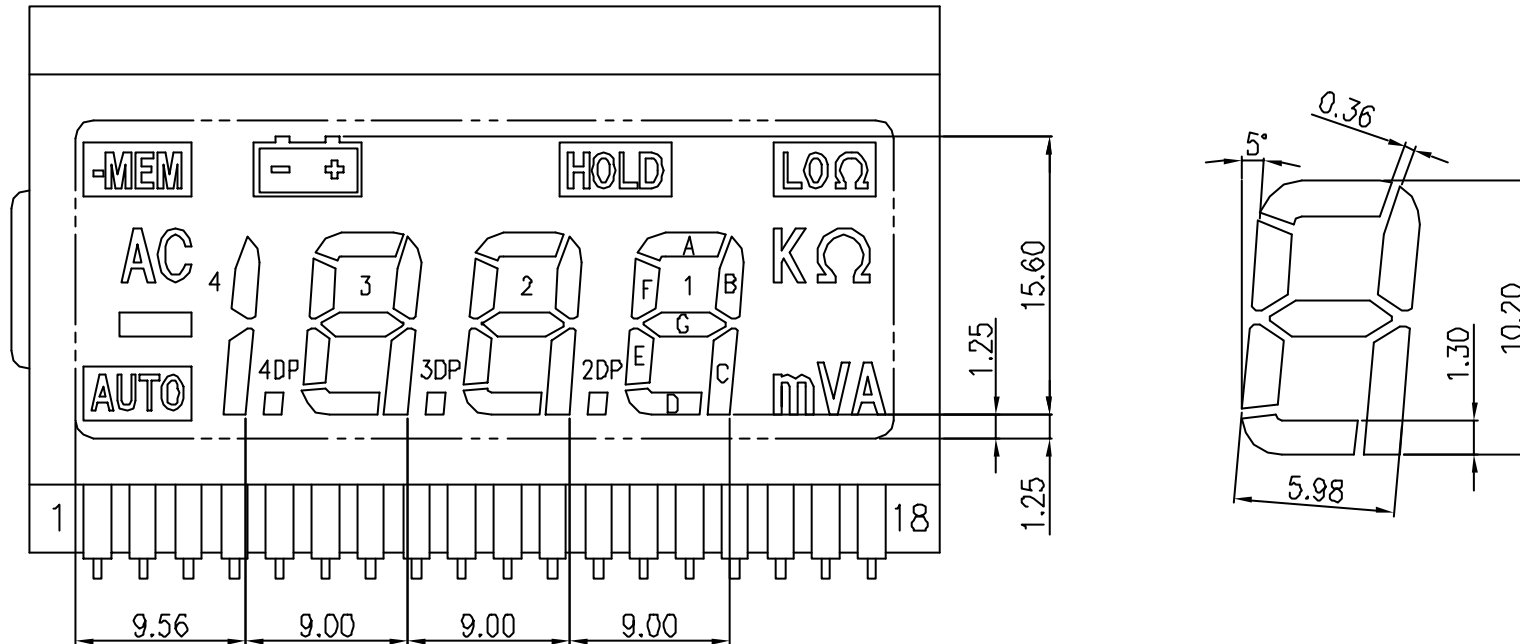


↑
DIRECTION
6:00
VIEWING



| | | | | |
|----------------------------------|---------------------|-------|----|----------------|
| 1 | REV. MODIFY CONTENT | | | DATE |
| DWN | Bauing | UNIT | mm | CUST. MODEL |
| CKD | | SCALE | | MODEL ASI-3149 |
| APPD | | ⊕ | | DATE FEB-02-05 |
| ALL SHORE INDUSTRIES, INC | | | | NAME 3149 |
| | | | | PAGE 1/2 |



| | | | | | | | | | | | | | | | | | | |
|------|-------------|-------------|-----|----|----|-----|----|----|-----|----|----|----|-------------|----------|------------------------------|------|------|------|
| | 1 | 2 | 3 | 4 | 5 | 6 | 7 | 8 | 9 | 10 | 11 | 12 | 13 | 14 | 15 | 16 | 17 | 18 |
| COM1 | | AC | 4B | 3F | 3A | 3B | 2F | 2A | 2B | 1F | 1A | 1B | HOLD | | | | | COM1 |
| COM2 | -MEM | | 4C | 3E | 3G | 3C | 2E | 2G | 2C | 1E | 1G | 1C | K | Ω | LOΩ | | COM2 | |
| COM3 | | AUTO | 4DP | | 3D | 3DP | | 2D | 2DP | | 1D | | m | V | A | COM3 | | |

- NOTE: 1. TN TYPE
 2. DRIVING METHOD: 1/3 DUTY, 1/2 BIAS
 3. OPERATING VOLTAGE: 3.0 VOP
 4. OPERATING TEMP: -10° ~ 60°C
 5. STORAGE TEMP: -20° ~ 60°C
 6. VIEWING DIRECTION: 6:00
 7. POLARIZER MODE: REFLECTIVE POSITIVE
 8. CONNECTION: PIN TYPE
 9. DIMENSIONS ARE IN MILLIMETERS AND UNLESS OTHERWISE NOTED ARE $\pm 0.20\text{MM}$

| | | | | | |
|----------------------------------|----------------|-------|----|-------------|-----------|
| 1 | | | | | |
| REV. | MODIFY CONTENT | | | | DATE |
| DWN | Bauing | UNIT | mm | CUST. MODEL | |
| CKD | | SCALE | | MODEL | ASI-3149 |
| APPD | | | | DATE | FEB-02-05 |
| ALL SHORE INDUSTRIES, INC | | | | | NAME 3149 |
| | | | | | PAGE 2/2 |