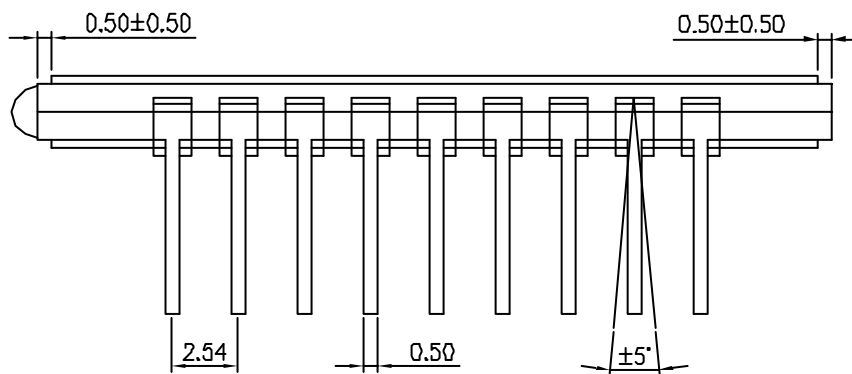
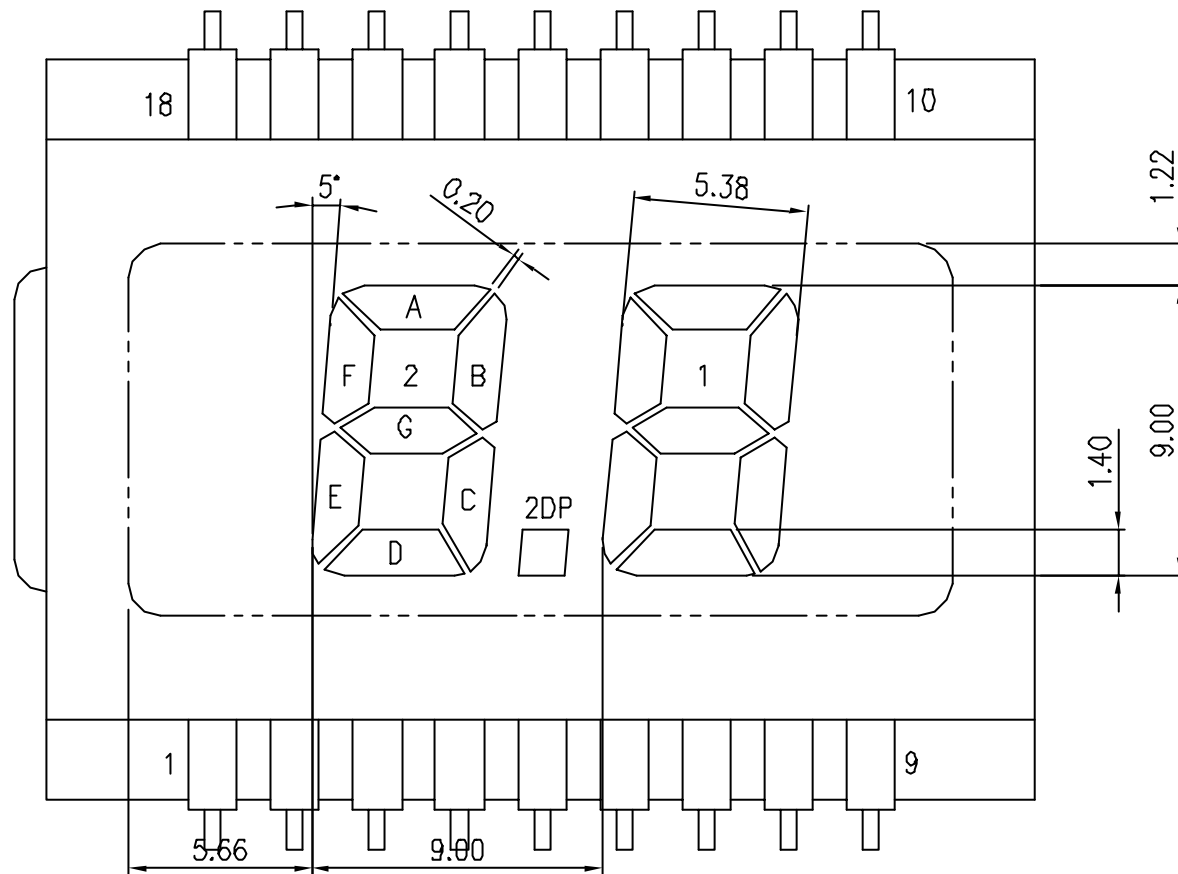


DIRECTION
6:00
VIEWING



1					
REV.	MODIFY CONTENT			DATE	
DWN	Bauing	UNIT	mm	CUST. MODEL	
CKD		SCALE		MODEL	ASI-010
APPD		DATE		JAN-31-05	



	COM
1	COM
2	2E
3	2D
4	2C
5	2DP
6	1E
7	1D
8	1C
9	1B
10	1A
11	1F
12	1G
13	2B
14	2A
15	2F
16	2G
17	.
18	COM

- NOTE: 1. TN TYPE
 2. DRIVING METHOD: STATIC
 3. OPERATING VOLTAGE: 3.0~5.0 VOP
 4. OPERATING TEMP: 0° ~ 50°C
 5. STORAGE TEMP: -5° ~ 55°C
 6. VIEWING DIRECTION: 6:00
 7. POLARIZER MODE: REFLECTIVE POSITIVE
 8. CONNECTION: PIN TYPE
 9. DIMENSIONS ARE IN MILLIMETERS AND UNLESS OTHERWISE NOTED ARE ±0.20MM

1					
REV.	MODIFY CONTENT			DATE	
DWN	Bauing	UNIT	mm	CUST. MODEL	
CKD		SCALE		MODEL	ASI-010
APPD		⊕		DATE	JAN-31-05
ALL SHORE INDUSTRIES, INC					NAME
					PAGE 2/2