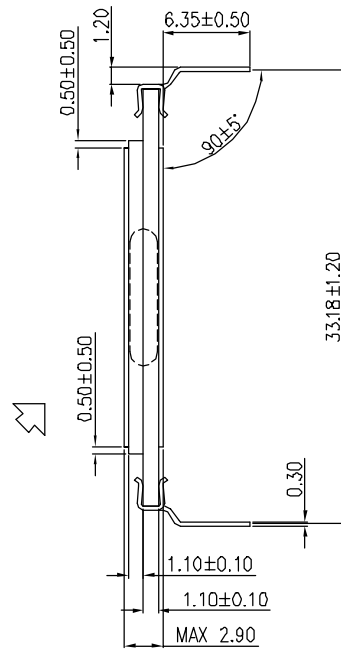
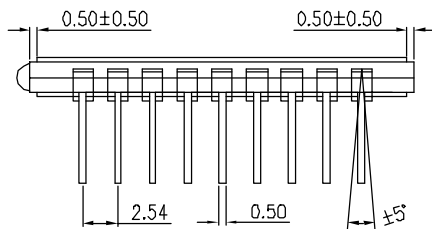
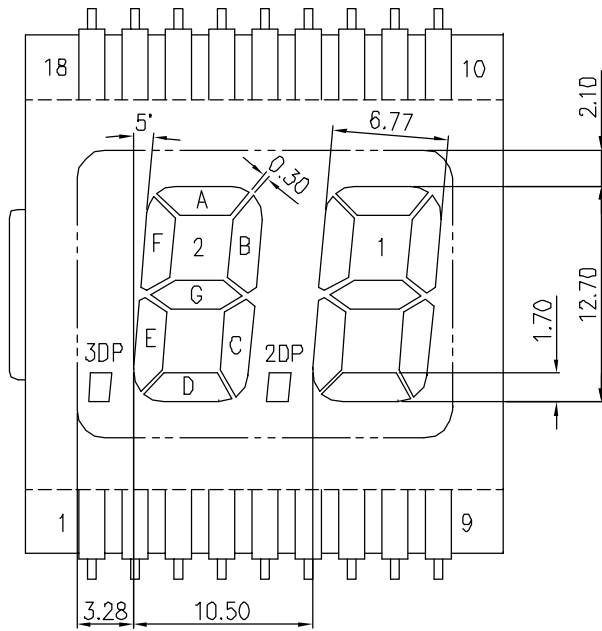


↑  
DIRECTION  
6:00  
VIEWING



1				
REV.	MODIFY CONTENT			DATE
DWN	Bauing	UNIT	mm	CUST. MODEL
CKD		SCALE		MODEL
APPD		DATE		FEB-01-05
<b>ALL SHORE INDUSTRIES, INC</b>				NAME
				PAGE 1/2



NOTE:

1. TN TYPE
2. DRIVING METHOD: STATIC
3. OPERATING VOLTAGE: 3.0~5.0 V
4. OPERATING TEMP: -0 ~ 50°C
5. STORAGE TEMP: -5 ~ 55°C
6. VIEWING DIRECTION: 6:00
7. POLARIZER MODE: REFLECTIVE POSITIVE
8. CONNECTION: PIN TYPE
9. DIMENSIONS ARE IN MILLIMETERS AND UNLESS OTHERWISE NOTED ARE ±0.20MM

NO.	1	2	3	4	5	6	7	8	9	10	11	12	13	14	15	16	17	18
COM	COM	3DP	2E	2D	2C	2DP	1E	1D	1C	1B	1A	1F	1G	2B	2A	2F	2G	COM

1				
REV.	MODIFY CONTENT			DATE
DWN	Bauing	UNIT	mm	CUST. MODEL
CKD		SCALE		MODEL ASI-009
APPD		DATE		FEB-01-05
<b>ALL SHORE INDUSTRIES.INC</b>				NAME
				PAGE 2/2