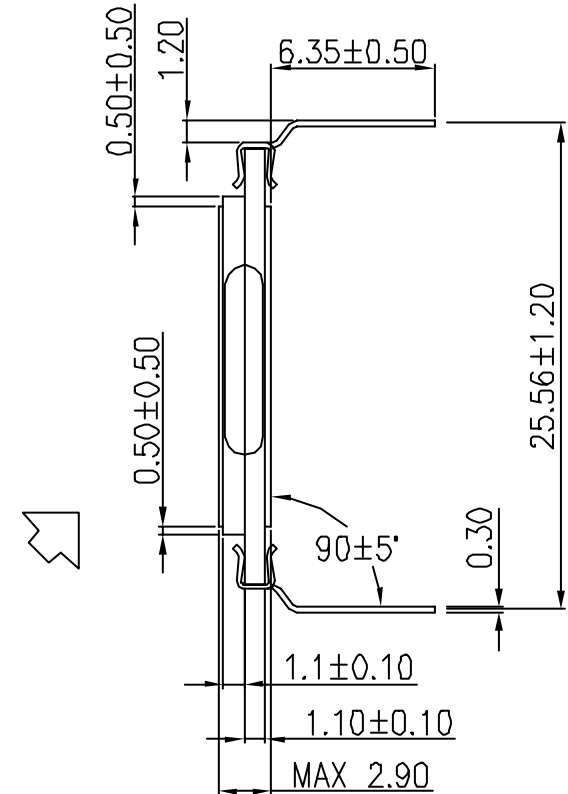
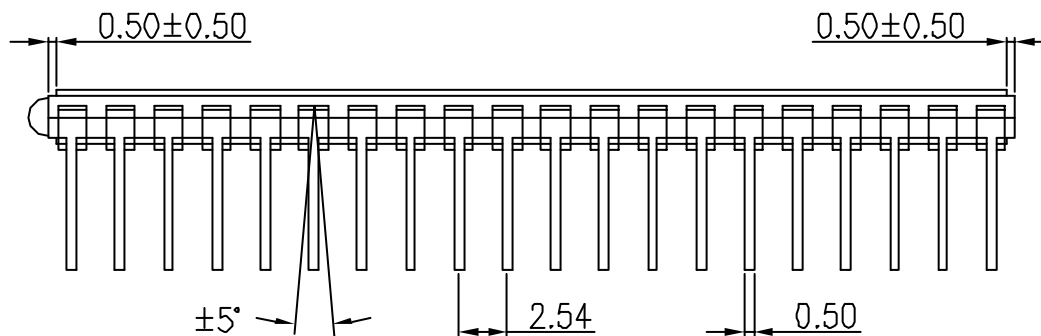


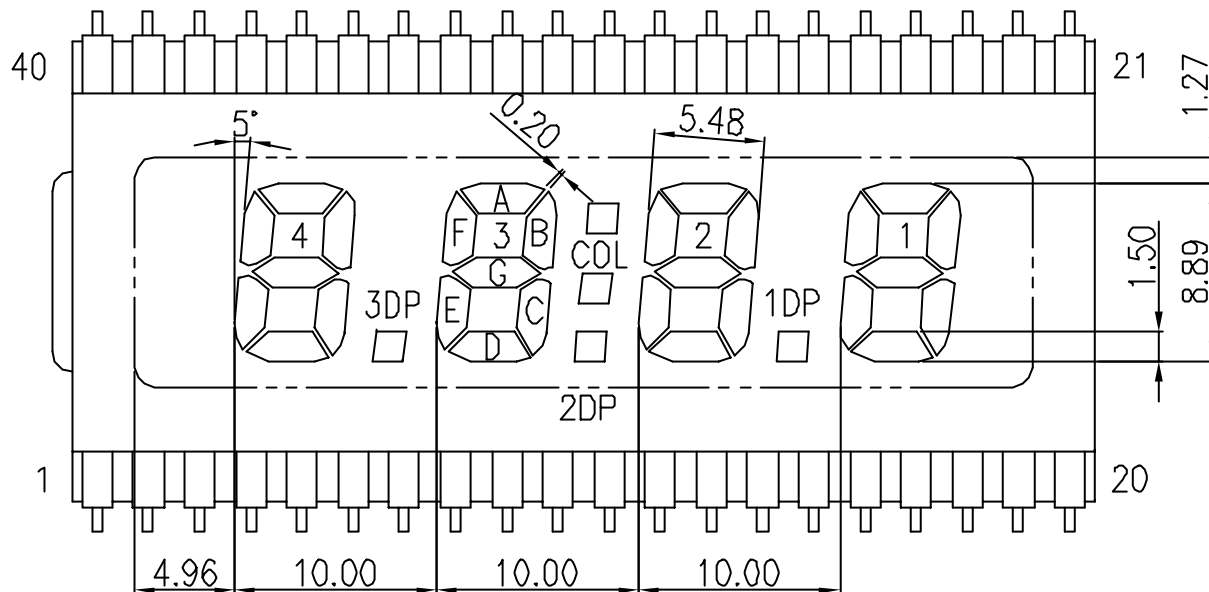
↑
DIRECTION
6:00
VIEWING



1				DATE
REV.	MODIFY CONTENT			DATE
DWN	Bauing	UNIT	mm	CUST. MODEL
CKD		SCALE		MODEL
APPD			DATE	ASI-006
				JAN-31-05

ALL SHORE INDUSTRIES, INC

NAME
PAGE 1/2



	1	2	3	4	5	6	7	8	9	10	11	12	13	14	15	16	17	18	19	20
COM	COM	.	.	.	4E	4D	4C	3DP	3E	3D	3C	2DP	2E	2D	2C	1DP	1E	1D	1C	1B
	21	22	23	24	25	26	27	28	29	30	31	32	33	34	35	36	37	38	39	40
COM	1A	1F	1G	2B	2A	2F	2G	COL	3B	3A	3F	3G	.	4B	4A	4F	4G	.	.	COM

NOTE:

1. TN TYPE
2. DRIVING METHOD: STATIC
3. OPERATING VOLTAGE: 3.0~5.0 V
4. OPERATING TEMP: -0 ~ 50°C
5. STORAGE TEMP: -5 ~ 55°C
6. VIEWING DIRECTION: 6:00
7. POLARIZER MODE: REFLECTIVE POSITIVE
8. CONNECTION: PIN TYPE
9. DIMENSIONS ARE IN MILLIMETERS AND UNLESS OTHERWISE NOTED ARE ±0.20MM

1					
REV.	MODIFY CONTENT				DATE
DWN	Bauing	UNIT	mm	CUST. MODEL	
CKD		SCALE		MODEL	ASI-006
APPD				DATE	JAN-31-05
ALL SHORE INDUSTRIES, INC					NAME
					PAGE