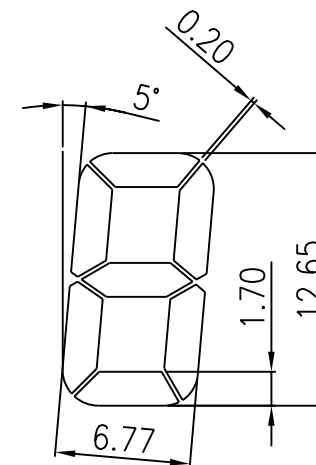
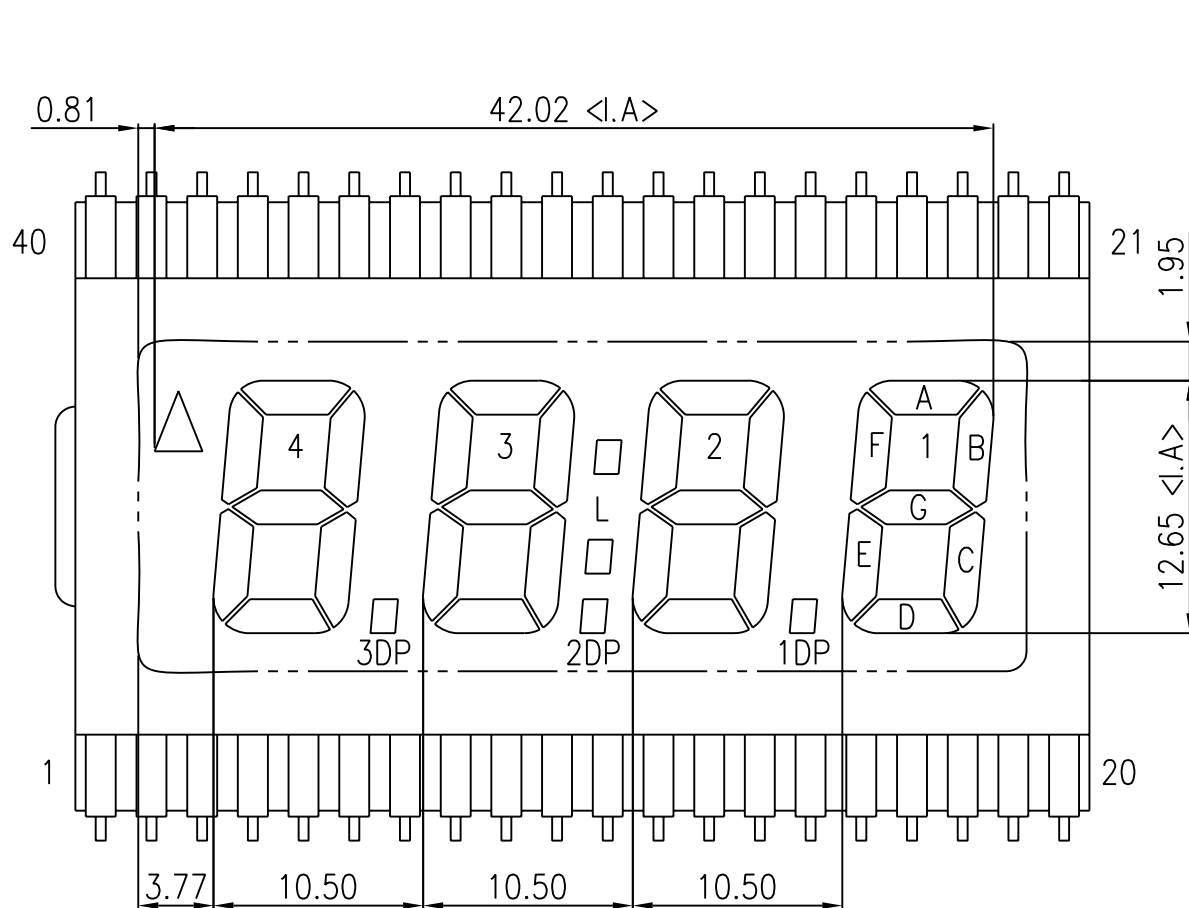


DIRECTION
6:00
VIEWING

DWN	Bauing	UNIT	mm	CUST. MODEL	
CKD		SCALE		MODEL	ASI-004
APPD				DATE	NOV-19-2018

1	INITIAL REVISION	NOV-19-2018
REV.	MODIFY CONTENT	DATE

ALL SHORE INDUSTRIES, INC



NOTE:

1. TN TYPE
2. DRIVING METHOD: STATIC
3. OPERATING VOLTAGE: 3.0 V
4. OPERATING TEMP: 0 ~ 50°C
5. STORAGE TEMP: -10 ~ 60°C
6. VIEWING DIRECTION: 6:00
7. POLARIZER MODE: REFLECTIVE POSITIVE
8. CONNECTION: PIN TYPE
9. DIMENSIONS ARE IN MILLIMETERS AND UNLESS OTHERWISE NOTED ARE $\pm 0.20\text{MM}$

	1	2	3	4	5	6	7	8	9	10	11	12	13	14	15	16	17	18	19	20
COM	COM	.	.	.	4E	4D	4C	3DP	3E	3D	3C	2DP	2E	2D	2C	1DP	1E	1D	1C	1B
	21	22	23	24	25	26	27	28	29	30	31	32	33	34	35	36	37	38	39	40
COM	1A	1F	1G	2B	2A	2F	2G	L	3B	3A	3F	3G	.	4B	4A	4F	4G	Δ	.	COM

DWN	Bauing	UNIT	mm	CUST. MODEL		
CKD		SCALE		MODEL	ASI-004	
APPD				DATE	NOV-19-2018	
ALL SHORE INDUSTRIES.INC					NAME	
					PAGE	2/2