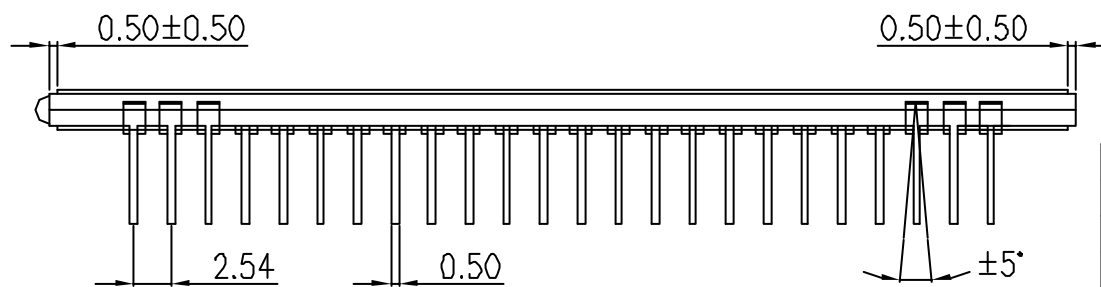
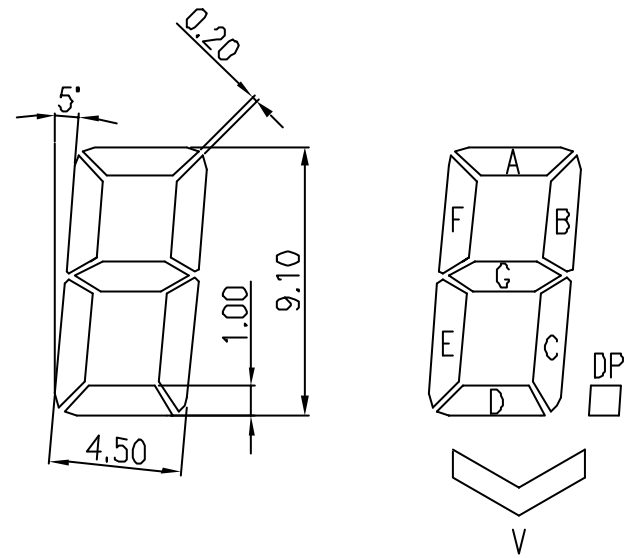
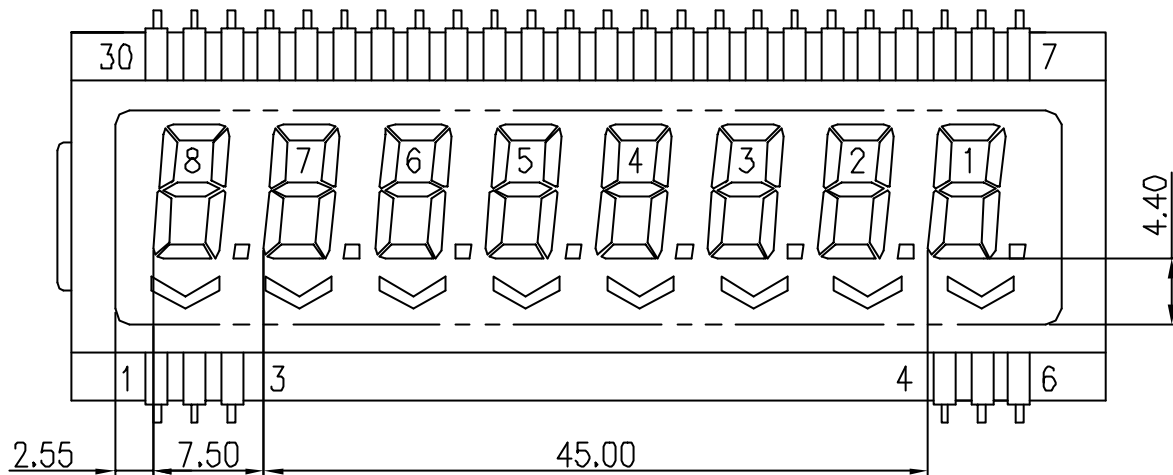


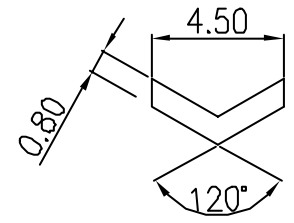
↑  
DIRECTION  
6:00  
VIEWING



|                                  |                |       |      |                           |
|----------------------------------|----------------|-------|------|---------------------------|
| 1                                |                |       |      |                           |
| REV.                             | MODIFY CONTENT |       |      | DATE                      |
| DWN                              | Bauing         | UNIT  | mm   | CUST. MODEL               |
| CKD                              |                | SCALE |      | MODEL MCD-854/C(6.35)8R1G |
| APPD                             |                |       | DATE | FEB-01-05                 |
| <b>ALL SHORE INDUSTRIES, INC</b> |                |       |      | NAME MCD-854              |
|                                  |                |       |      | PAGE 1/2                  |



|      |      |      |      |      |      |      |     |    |    |     |    |    |     |    |    |
|------|------|------|------|------|------|------|-----|----|----|-----|----|----|-----|----|----|
|      | 1    | 2    | 3    | 4    | 5    | 6    | 7   | 8  | 9  | 10  | 11 | 12 | 13  | 14 | 15 |
| COM1 | COM1 |      |      |      |      | COM1 | 1B  | 1A | 1F | 2B  | 2A | 2F | 3B  | 3A | 3F |
| COM2 |      | COM2 |      |      | COM2 |      | 1C  | 1G | 1E | 2C  | 2G | 2E | 3C  | 3G | 3E |
| COM3 |      |      | COM3 | COM3 |      |      | 1DP | 1D | V1 | 2DP | 2D | V2 | 3DP | 3D | V3 |
|      | 16   | 17   | 18   | 19   | 20   | 21   | 22  | 23 | 24 | 25  | 26 | 27 | 28  | 29 | 30 |
| COM1 | 4B   | 4A   | 4F   | 5B   | 5A   | 5F   | 6B  | 6A | 6F | 7B  | 7A | 7F | 8B  | 8A | 8F |
| COM2 | 4C   | 4G   | 4E   | 5C   | 5G   | 5E   | 6C  | 6G | 6E | 7C  | 7G | 7E | 8C  | 8G | 8E |
| COM3 | 4DP  | 4D   | V4   | 5DP  | 5D   | V5   | 6DP | 6D | V6 | 7DP | 7D | V7 | 8DP | 8D | V8 |



- NOTE: 1. TN TYPE  
 2. DRIVING METHOD: 1/3 DUTY. 1/2 BIAS  
 3. OPERATING VOLTAGE: 3.0 V  
 4. OPERATING TEMP: -0 ~ 50°C  
 5. STORAGE TEMP: -5 ~ 55°C  
 6. VIEWING DIRECTION: 6:00  
 7. POLARIZER MODE: REFLECTIVE POSITIVE  
 8. CONNECTION: PIN TYPE  
 9. DIMENSIONS ARE IN MILLIMETERS AND UNLESS OTHERWISE NOTED ARE ±0.20MM

|                                  |                |       |    |             |                     |
|----------------------------------|----------------|-------|----|-------------|---------------------|
| 1                                |                |       |    |             |                     |
| REV.                             | MODIFY CONTENT |       |    | DATE        |                     |
| DWN                              | Bauing         | UNIT  | mm | CUST. MODEL |                     |
| CKD                              |                | SCALE |    | MODEL       | MCD-854/C(6.35)8R1G |
| APPD                             |                | DATE  |    | FEB-01-05   |                     |
| <b>ALL SHORE INDUSTRIES, INC</b> |                |       |    | NAME        | MCD-854             |
|                                  |                |       |    | PAGE        | 2/2                 |