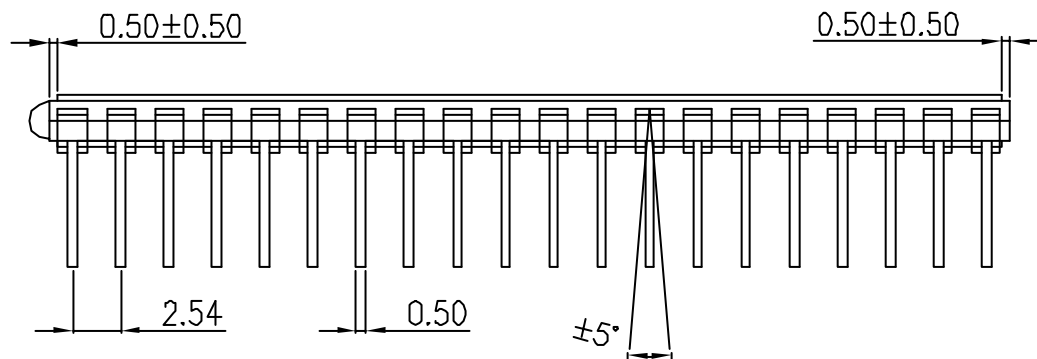
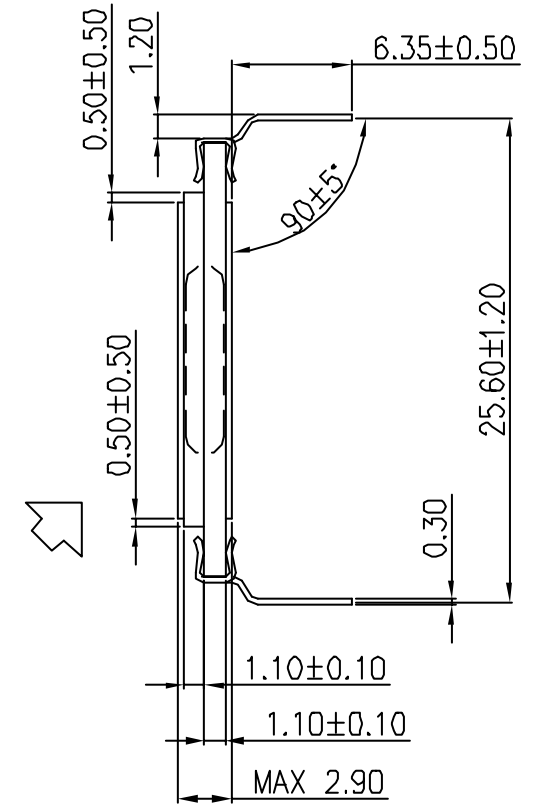


↑ DIRECTION
6:00

VIEWING



1				
REV.	MODIFY CONTENT			DATE
DWN	Bauing	UNIT	mm	CUST. MODEL
CKD		SCALE		MODEL M200906/C(6.35)8R1G
APPD			DATE	JAN-31-05
ALL SHORE INDUSTRIES, INC				NAME M200906
				PAGE 1/2

