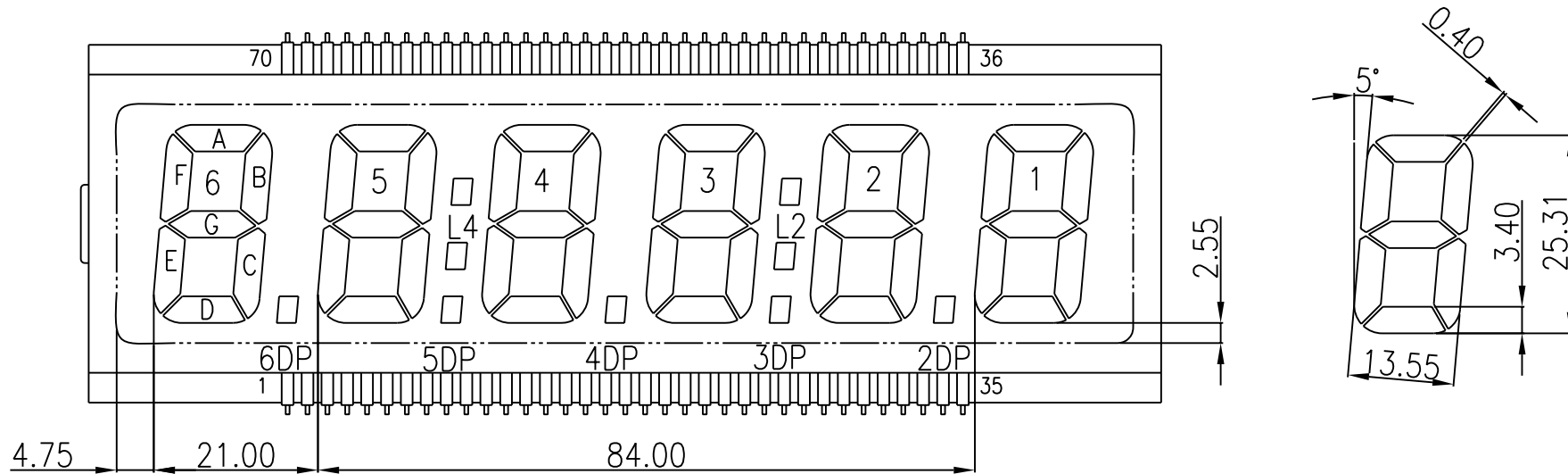


DWN	Bauing	UNIT	mm	CUST. MODEL	
CKD		SCALE		MODEL	ASI-970
APPD				DATE	NOV-19-2018

1	INITIAL REVISION	NOV-19-2018
REV.	MODIFY CONTENT	DATE

**ALL SHORE INDUSTRIES, INC**

NAME	
PAGE	1/2



	1	2	3	4	5	6	7	8	9	10	11	12	13	14	15	16	17	18	19	20	21	22	23	24	25
COM	COM	6E	6D	6C	P6	5E	5D	5C	P5	4E	4D	/	/	/	/	4C	/	P4	3E	3D	/	/	/	3C	/
	26	27	28	29	30	31	32	33	34	35	36	37	38	39	40	41	42	43	44	45	46	47	48	49	50
COM	P3	2E	2D	/	/	2C	P2	1E	1D	1C	1B	1A	1F	1G	2B	2A	2F	2G	L2	/	3B	/	/	/	3A
	51	52	53	54	55	56	57	58	59	60	61	62	63	64	65	66	67	68	69	70					
COM	3F	3G	/	/	4B	/	/	4A	4F	4G	L4	5B	5A	5F	5G	6B	6A	6F	6G	COM					

- NOTE: 1. TN TYPE , CELL GAP 6.5u  
 2. DRIVING METHOD: STATIC  
 3. OPERATING VOLTAGE: 3.0 V  
 4. OPERATING TEMP: -20 ~ 80°C  
 5. STORAGE TEMP: -40 ~ 80°C  
 6. VIEWING DIRECTION: 6:00  
 7. POLARIZER MODE: TRANSFLECTIVE POSITIVE  
 8. CONNECTION: PIN TYPE  
 9. DIMENSIONS ARE IN MILLIMETERS AND UNLESS OTHERWISE NOTED ARE ±0.20MM

DWN	Bauing	UNIT	mm	CUST. MODEL		
CKD		SCALE		MODEL	ASI-970	
APPD				DATE	NOV-19-2018	
<b>ALL SHORE INDUSTRIES.INC</b>					NAME	
					PAGE	2/2