

NOTE:

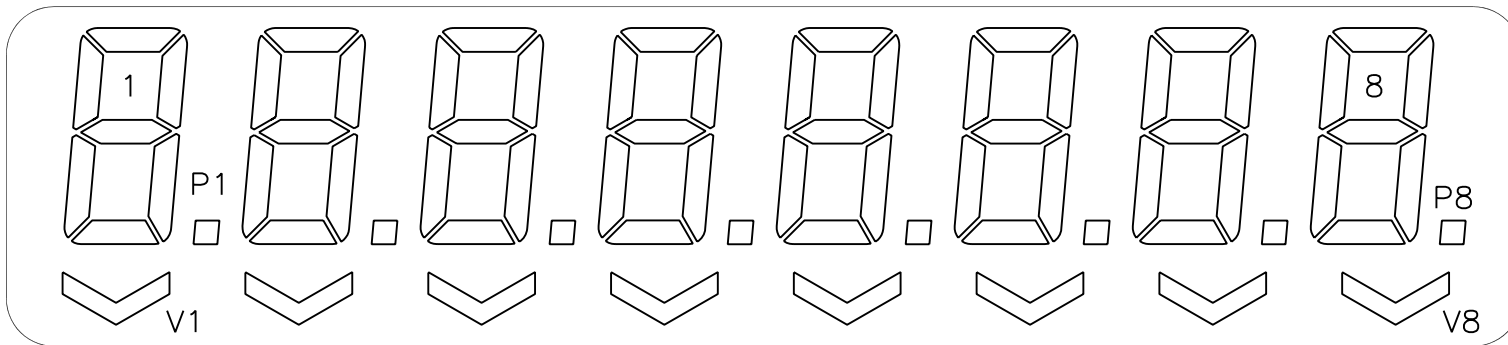
1. TN TYPE
2. DRIVING METHOD: 1/3 DUTY, 1/2 BIAS
3. OPERATING VOLTAGE: 3.0 VOP
4. OPERATING TEMP: $-0^{\circ} \sim 50^{\circ}\text{C}$
5. STORAGE TEMP: $-10^{\circ} \sim 60^{\circ}\text{C}$
6. VIEWING DIRECTION: 6:00
7. POLARIZER MODE: REFLECTIVE POSITIVE
8. CONNECTION: HEAT SEAL TYPE
9. DIMENSIONS ARE IN MILLIMETERS AND UNLESS OTHERWISE NOTED ARE $\pm 0.20\text{MM}$

DWN	Bauing	UNIT	mm	CUST. MODEL	
CKD		SCALE		MODEL	ASI-854
APPD				DATE	DEC-18-2018

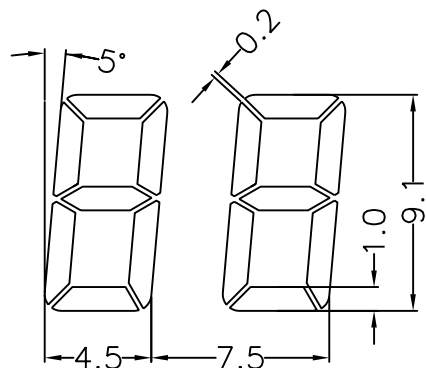
1	INITIAL REVISION	DEC-18-2018
REV.	MODIFY CONTENT	DATE

ALL SHORE INDUSTRIES.INC

NAME	
PAGE	1/2



PIN	1	2	3	4	5	6	7	8	9	10	11	12	13	14	15
COM1	COM1	/	/	/	/	COM1	8B	8A	8F	7B	7A	7F	6B	6A	6F
COM2	/	COM2	/	/	COM2	/	8C	8G	8E	7C	7G	7E	6C	6G	6E
COM3	/	/	COM3	COM3	/	/	P8	8D	V8	P7	7D	V7	P6	6D	V6
PIN	16	17	18	19	20	21	22	23	24	25	26	27	28	29	30
COM1	5B	5A	5F	4B	4A	4F	3B	3A	3F	2B	2A	2F	1B	1A	1F
COM2	5C	5G	5E	4C	4G	4E	3C	3G	3E	2C	2G	2E	1C	1G	1E
COM3	P5	5D	V5	P4	4D	V4	P3	3D	V3	P2	2D	V2	P1	1D	V1



DWN	Bauing	UNIT	mm	CUST. MODEL		
CKD		SCALE		MODEL	ASI-854	
APPD				DATE	DEC-18-2018	
ALL SHORE INDUSTRIES.INC					NAME	
					PAGE	2/2